



Project: \_\_\_\_\_  
 Location: \_\_\_\_\_  
 Cat. #: \_\_\_\_\_  
 Type: \_\_\_\_\_  
 Quantity: \_\_\_\_\_

LED

# FSS/FSM LED Flood/Wall Sconce

## Features:

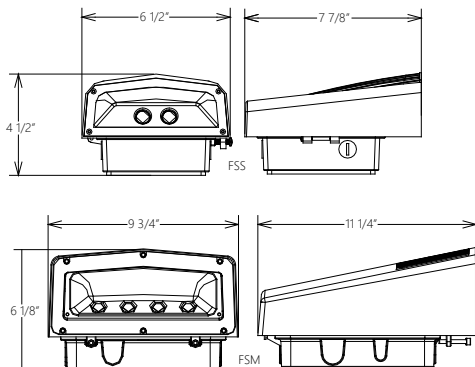
- High performance LED technology
- 0-10V dimming drivers standard
- Up to 100 lumens per watt
- Works as both a flood light and a wall sconce
- Multiple mounting methods and 4 available lumen outputs adds to the versatility of this luminaire, making it suitable for many applications

## Applications:

Suitable for most exterior wall mount and flood applications

- Industrial
- Retail
- Commercial

## Schematics:



## Construction:

- Die cast aluminum housing
- Textured powdercoat finish over a chromate conversion coating

## Certifications:

- CSA listed for wet locations
- IP65

## Predicted L70 Lifetime:

> 76,000hrs @ 25°C ambient (calculated)  
 (based on LM-80, TM-21 and in-situ laboratory testing)

## Ambient Operating Temp:

-40°C to 50°C

## Warranty:

- 5 year limited system warranty
- see [www.LumenFocus.com](http://www.LumenFocus.com) for complete warranty terms and conditions



## Ordering Guide:

example: FSS HI F UV CFG 840-AKT BZ

Series	Output	Optic	Voltage	Shielding	CRI/CCT	-	Mounting	Options	Finish
FSS FSM	MD HI	F	UV	CFG	840	-	Blank AKT AKS AUB	Blank SF DF SP	BZ  Custom Colors Available Upon Request

### Accessories: (order separately)

- **PPC120** 1/2" CdS Pencil Photocell, 110V-130V, 0-200°
- **PPC277** 1/2" CdS Pencil Photocell, 208V-277V, 0-200°

<b>Series:</b>	FSS Flood/Sconce Small FSM Flood/Sconce Medium	<b>Mounting:</b>	Blank None / Wall Mount AKT Adjustable Knuckle w/ 1/2" NPS Threads AKS Adjustable Knuckle Slipfitter <i>(for FSM only)</i> AUB Adjustable U-Bracket <i>(for FSM only)</i>
<b>Lumen Output:</b>	MD Medium HI High	<b>Options:</b>	Blank None SF Single Fuse DF Double Fuse SP Surge Protection
<b>Optic:</b>	F Flood	<b>Finish:</b>	BZ Bronze
<b>Voltage:</b>	UV 120-277V		
<b>Shielding:</b>	CFG Clear Flat Glass		
<b>CRI/CCT:</b>	840 80 CRI / 4000K		

## Performance Chart:

Catalog #	Lumens	Wattage	LPW
FSS MD F UV CFG 840	2300	21.1	114.1
FSS HI F UV CFG 840	4025	41.7	96.6
FSM MD F UV CFG 840	6508	52.9	123.0
FSM HI F UV CFG 840	8212	80.7	101.7

## Mounting:



FSS with 'BLANK' - Wall Mount



FSS with AKT - Knuckle



FSM with AKS - Slipfitter

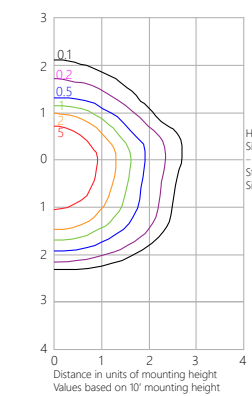
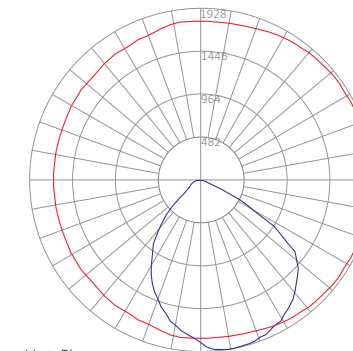


FSM with AUB - U-Bracket

## Photometric Data:

### FSS HI F UV CFG 840

Test No.: 2,859  
 Luminaire Lumens: 4,025 lm  
 Luminaire Watts: 41.7W  
 Efficacy: 96.6 LPW



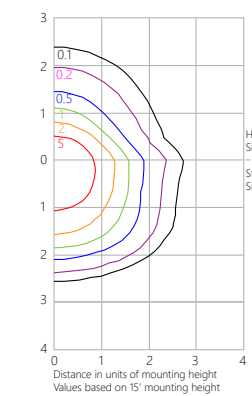
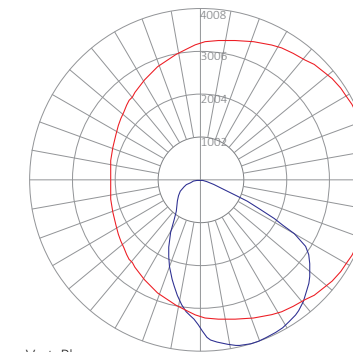
### Lum. Classification System (LCS)

LCS Zone	Lumens	%Lum
FL (0-30)	754.7	18.8
FM (30-60)	1457.9	36.2
FH (60-80)	220.1	5.5
FVH (80-90)	0.2	0.0
BL (0-30)	634.5	15.8
BM (30-60)	823.0	20.4
BH (60-80)	129.6	3.2
BVH (80-90)	5.0	0.1
UL (90-100)	< 0.05	0.0
UH (100-180)	0.0	0.0
<b>Total</b>	<b>4025.0</b>	<b>100.0</b>

**BUG Rating B2-U1-G1**

### FSM HI F UV CFG 840

Test No.: 2,860  
 Luminaire Lumens: 8,212 lm  
 Luminaire Watts: 80.7W  
 Efficacy: 101.7 LPW



### Lum. Classification System (LCS)

LCS Zone	Lumens	%Lum
FL (0-30)	1536.5	18.7
FM (30-60)	3310.1	40.3
FH (60-80)	705.1	8.6
FVH (80-90)	2.7	0.0
BL (0-30)	1052.1	12.8
BM (30-60)	1250.6	15.2
BH (60-80)	335.5	4.1
BVH (80-90)	19.5	0.2
UL (90-100)	0.1	0.0
UH (100-180)	0.0	0.0
<b>Total</b>	<b>8212.2</b>	<b>100.0</b>

**BUG Rating B3-U1-G1**