

LUMEN FOCUS RTL 2X2 & 2X4 KIT INSTALL INSTRUCTIONS

WARNING - RISK OF FIRE OR ELECTRIC SHOCK.
 INSTALL THIS KIT ONLY IN LUMINAIRES THAT HAVE THE CONSTRUCTION FEATURES AND DIMENSIONS SHOWN IN THE PHOTOGRAPHS AND / OR DRAWINGS AND WHERE THE INPUT RATING OF THE RETROFIT KITS DOES NOT EXCEED THE INPUT RATING OF THE LUMINAIRE.

WARNING - TO PREVENT WIRING DAMAGE OR ABRASION, DO NOT EXPOSE WIRING TO EDGES OF SHEET METAL OR OTHER SHARP OBJECTS.

WARNING - RISK OF FIRE OR ELECTRIC SHOCK.
 LUMINAIRE WIRING AND ELECTRICAL PARTS MAY BE DAMAGED WHEN DRILLING FOR INSTALLATION OF LED RETROFIT KIT. CHECK FOR ENCLOSED WIRING AND COMPONENTS.

CAUTION: DO NOT MAKE OR ALTER ANY OPEN HOLES IN THE ENCLOSURE OF WIRING OR ELECTRICAL COMPONENTS DURING KIT INSTALL.

WARNING - RISK OF FIRE, ELECTRIC SHOCK, OR PERSONAL INJURY. BEFORE INSTALLATION TURN POWER OFF.

WARNING - RISK OF FIRE OR ELECTRIC SHOCK, LED RETROFIT KIT INSTALLATION REQUIRES KNOWLEDGE OF LUMINAIRE ELECTRICAL SYSTEMS. IF NOT QUALIFIED DO NOT ATTEMPT INSTALLATION. CONTACT A QUALIFIED ELECTRICIAN.

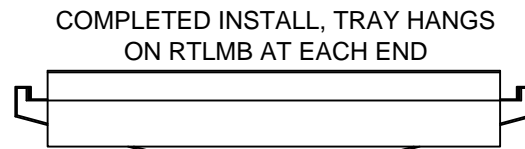
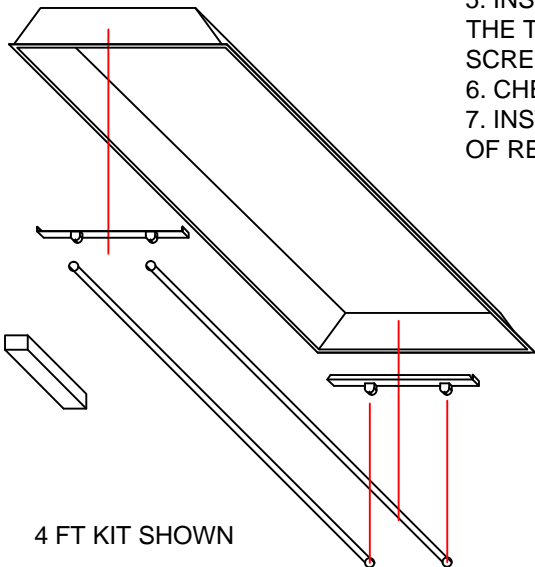
REMOVAL PROCESS

1. TURN OFF POWER
2. REMOVE LENS / DOORFRAME FROM FIXTURE
3. REMOVE LAMPS (RECYCLE AS NEEDED)
4. REMOVE FLUORESCENT REFLECTOR, BALLAST, SOCKETBARS, AND ANY EXCESS WIRING FROM FIXTURE

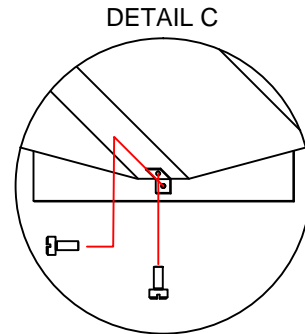
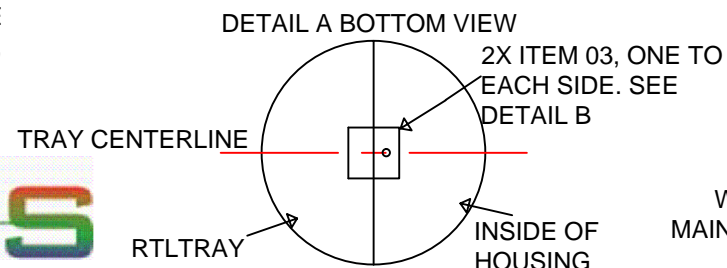
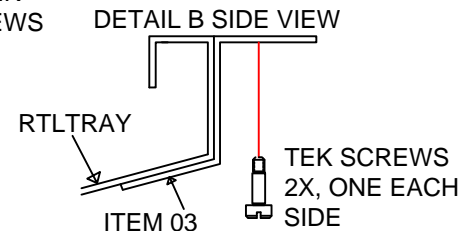
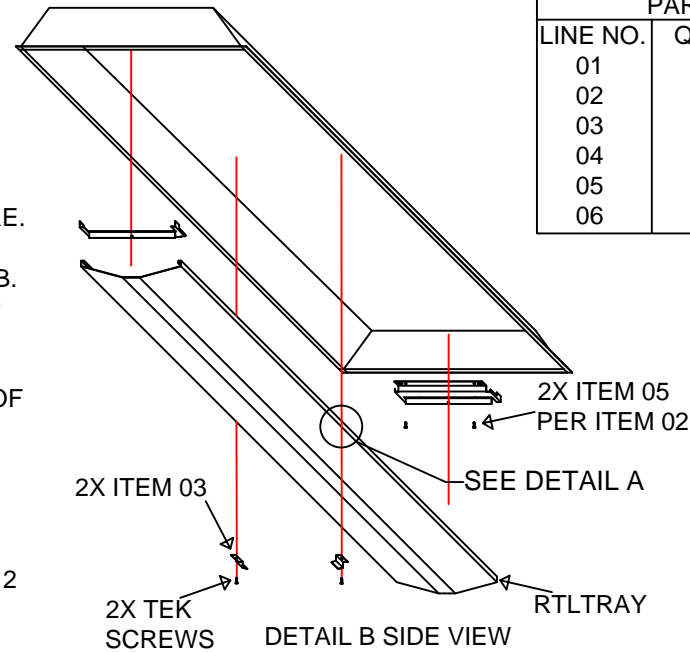
INSTALL PROCESS FOR RTL KIT

1. HAND BEND FLANGE ON MOUNTING BRACKET RTLMB.
2. PLACE RTLMB AT EACH END OF THE FIXTURE. SECURE TO HOUSING WITH TEK SCREWS.
3. INSTALL RTLTRAY TO ONE SIDE OF RTLMB. TRAY SHOULD HANG FOR YOU TO HOOK UP ELECTRICAL TO THE DRIVER ON THE TRAY.
4. INSTALL TRAY TO OTHER SIDE OF RTLMB
5. INSTALL (2) ITEM 03. ONE ON EACH SIDE OF THE TRAY WITH TEK SCREWS.
6. INSTALL (2) ITEM 04. ONE ON EACH END OF THE TRAY AND RTLMB USING ITEM 06. (2) SCREWS PER END. SEE DETAIL C
7. CHECK IT IS RECEIVING POWER.
8. INSTALL LENS / DOORFRAME FROM STEP 2 OF REMOVAL PROCESS

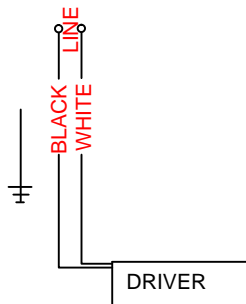
PARTS LIST FOR RTL KIT		
LINE NO.	QTY	PART NAME
01	1	RTLTRAY
02	2	RTLMB
03	2	RTL RETAINER CLIPS
04	2	RTL END CLIPS
05	6	TEK SCREWS
06	4	#8 HEX HEAD SCREWS



TO REMOVE TRAY: PUSH UP, SLIDE TRAY TO ONE SIDE, PULL DOWN 1", SLIDE TRAY THE OPPOSITE WAY



WIRE SCHEMATIC
 Line side input to driver
 120V to 277V and all voltages in between 120V - 277V input



WHEN INSTALLING KIT MAINTAIN EXISTING GROUND ON THE FIXTURE