

LUMEN FOCUS RTL 1X4 KIT INSTALL INSTRUCTIONS

WARNING - RISK OF FIRE OR ELECTRIC SHOCK.
 INSTALL THIS KIT ONLY IN LUMINAIRES THAT HAVE THE CONSTRUCTION FEATURES AND DIMENSIONS SHOWN IN THE PHOTOGRAPHS AND / OR DRAWINGS AND WHERE THE INPUT RATING OF THE RETROFIT KITS DOES NOT EXCEED THE INPUT RATING OF THE LUMINAIRE.

WARNING - TO PREVENT WIRING DAMAGE OR ABRASION, DO NOT EXPOSE WIRING TO EDGES OF SHEET METAL OR OTHER SHARP OBJECTS.

WARNING - RISK OF FIRE OR ELECTRIC SHOCK.
 LUMINAIRE WIRING AND ELECTRICAL PARTS MAY BE DAMAGED WHEN DRILLING FOR INSTALLATION OF LED RETROFIT KIT. CHECK FOR ENCLOSED WIRING AND COMPONENTS.

CAUTION: DO NOT MAKE OR ALTER ANY OPEN HOLES IN THE ENCLOSURE OF WIRING OR ELECTRICAL COMPONENTS DURING KIT INSTALL.

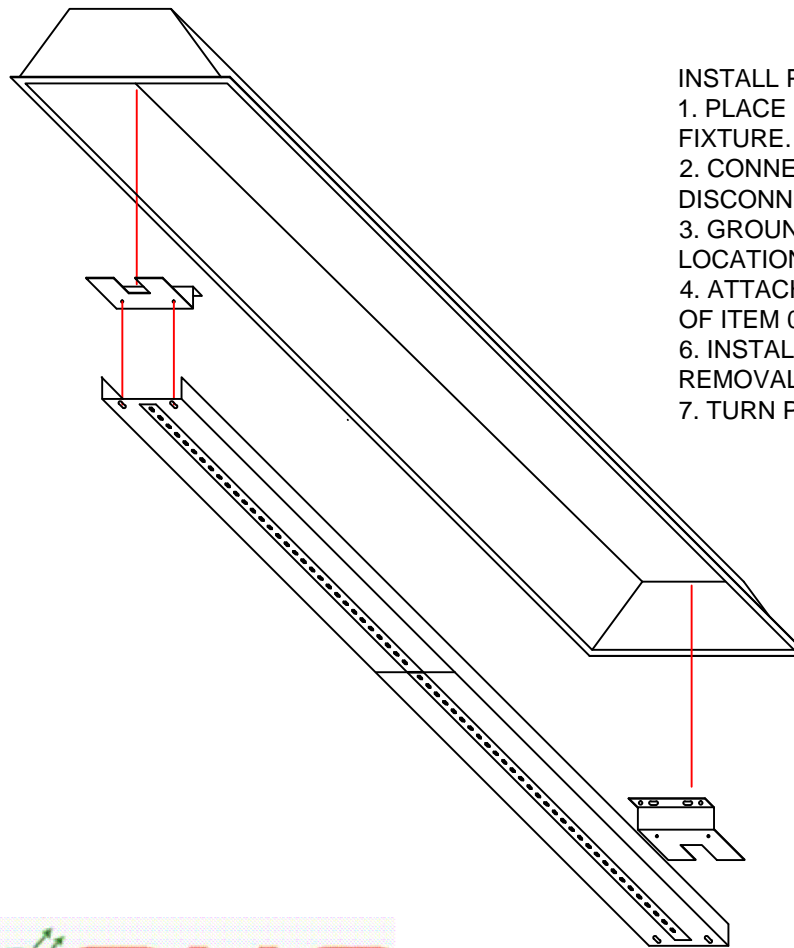
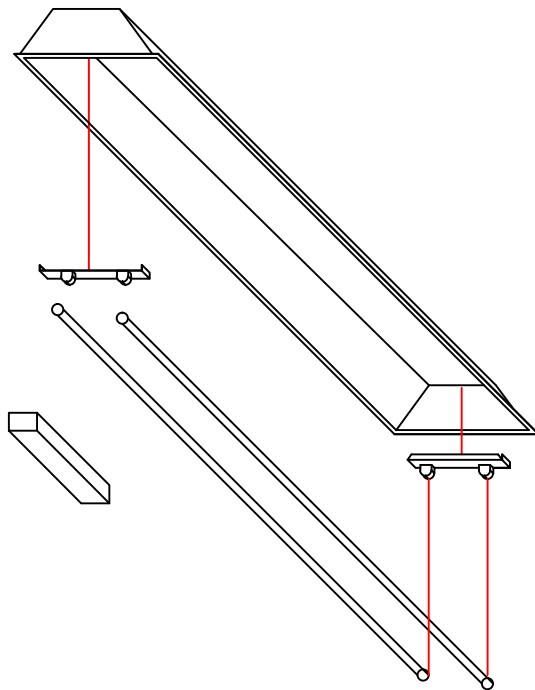
WARNING - RISK OF FIRE, ELECTRIC SHOCK, OR PERSONAL INJURY. BEFORE INSTALLATION TURN POWER OFF.

WARNING - RISK OF FIRE OR ELECTRIC SHOCK, LED RETROFIT KIT INSTALLATION REQUIRES KNOWLEDGE OF LUMINAIRE ELECTRICAL SYSTEMS. IF NOT QUALIFIED DO NOT ATTEMPT INSTALLATION. CONTACT A QUALIFIED ELECTRICIAN.

PARTS LIST FOR RTL KIT		
LINE NO.	QTY	PART NAME
01	1	RTL1X4NBRAY
02	2	RTLMB1X4NB
03	6	TEK SCREWS
04	4	#8 HEX HEAD SCREWS

REMOVAL PROCESS

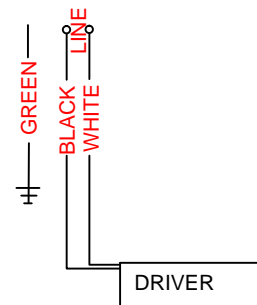
1. TURN OFF POWER
2. REMOVE LENS / DOORFRAME FROM FIXTURE
3. REMOVE LAMPS (RECYCLE AS NEEDED)
4. REMOVE FLUORESCENT REFLECTOR, BALLAST, SOCKETBARS, AND ANY EXCESS WIRING FROM FIXTURE



INSTALL PROCESS FOR RTL1X4 KIT

1. PLACE RTL1X4MB'S AT EACH END OF THE FIXTURE. SECURE TO HOUSING WITH TEK SCREWS.
2. CONNECT POWER TO DRIVER USING THE QUICK DISCONNECT.
3. GROUND WIRES TO THE APPROPRIATE LOCATION ON FIXTURE OR TRAY.
4. ATTACH RTL1X4TRAY TO RTL1X4MB'S USING (4) OF ITEM 04.
6. INSTALL LENS / DOORFRAME FROM STEP 2 OF REMOVAL PROCESS.
7. TURN POWER BACK ON.

WIRE SCHEMATIC
 Line side input to driver
 120V to 277V and all voltages in between 120V - 277V input



WHEN INSTALLING KIT
 MAINTAIN EXISTING GROUND
 ON THE FIXTURE