



Project: _____
 Location: _____
 Cat. #: _____
 Type: _____
 Quantity: _____

LED

CLS LED Low Profile Canopy Light

Features:

- High performance LED technology
- 0-10V dimming drivers standard
- Surface or pendant mounting - Junction box mounting plate comes standard. Threaded hole on back of luminaire for 3/4" rigid electrical conduit and pendant mounting
- Removable threaded plugs on side accommodate 1/2" rigid electrical conduit or motion/photo sensors
- 4kV surge protection standard

Applications:

For use in surface or pendant mount applications. Suitable for indoor or outdoor use

- Canopy
- Security
- Stairwell
- Corridors

Predicted L70 Lifetime:

- ≥ 60,000 hrs (based on LM-80, TM-21 and in-situ laboratory testing)

Ambient Operating Temp:

- -40°C to 40°C

Construction:

- Die cast aluminum housing
- Impact resistant polycarbonate drop lens
- Durable dark bronze powder coat finish

Certifications:

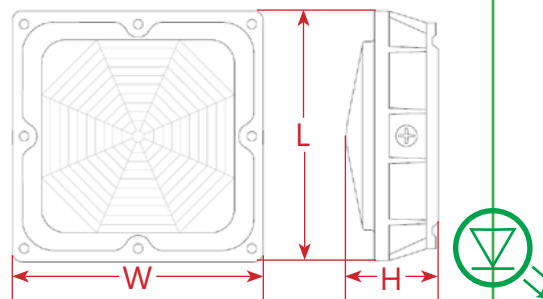
- cULus listed for wet locations
- IP65

Warranty:

- 5 year limited system warranty
- see www.LumenFocus.com for complete warranty terms and conditions



Schematic:



Model	Length (L)	Width (W)	Height (H)	Weight
CLS 10	10"	10"	3 5/8"	5.6 lbs.
CLS 14	14"	14"	4"	10.0 lbs

Ordering Guide:

example: CLS 14 HI UV PCD 850-BZ

Series	Size	Output	Voltage	Shielding	CRI/CCT	-	Options	Finish
CLS			UV	PCD	850	-		BZ
CLS	10	MD	UV	PCD	850		Blank MSD	BZ
	14	HI						

Size: 10 10" Square
14 14" Square

Options: Blank None
MSD Microwave Dimming Motion/Daylight Sensor

Lumen Output: MD Medium
HI High

Finish: BZ Bronze Finish

Voltage: UV 120-277V

Shielding: PCD Polycarbonate Drop Lens

Performance

Catalog #	Watts	Lumens	LPW
CLS 10 MD UV PCD 850	44	4948	112
CLS 14 HI UV PCD 850	80	9548	120

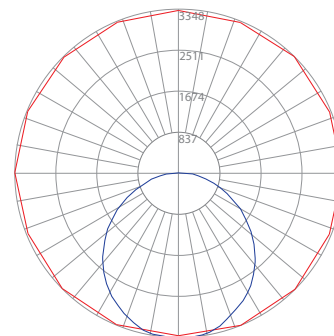
Photometric Data:

CLS 14 HI UV PCD 850

Test No.: TN20160723a
Luminaire Lumens: 9,548 lm
Luminaire Watts: 79.6W
Efficacy: 120.0 LPW
Spacing Criterion (0-180): 1.24
Spacing Criterion (90-270): 1.26

Luminance Data (cd/sq.m)

Angle In Degrees	Average 0-Deg	Average 45-Deg	Average 90-Deg
45	25256	24364	25576
55	23037	21982	23476
65	20030	18665	20473
75	15910	14337	16605
85	11885	9980	13787



— Vert. Plane
— Horiz. Cone

Zonal Lumen Summary

Zone	Lumens	%Fixt
0-20	1221.57	12.80
0-30	2585.89	27.10
0-40	4212.61	44.10
0-60	7388.73	77.40
0-80	9216.04	96.50
0-90	9513.52	99.60
90-120	22.22	0.20
90-130	25.19	0.30
90-150	30.80	0.30
90-180	34.93	0.40
0-180	9548.45	100.00

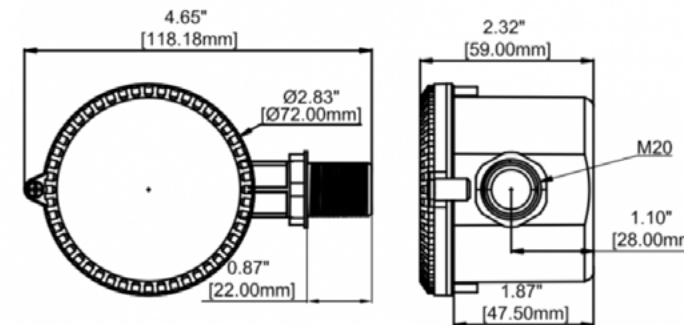
Coefficients Of Utilization - Zonal Cavity Method

Effective Floor Cavity Reflectance 0.20

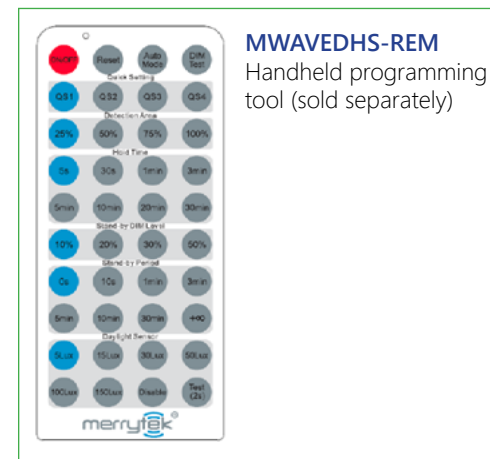
RC	80				70				50				30				
RW	70	50	30	10	70	50	30	10	50	30	10	50	30	10	50	30	10
0	119	119	119	119	116	116	116	116	111	111	111	106	106	106			
1	108	103	99	95	105	101	97	93	96	93	90	92	90	87			
2	98	90	83	77	96	88	81	76	84	79	74	81	76	72			
3	90	79	70	64	87	77	69	63	74	67	62	71	66	61			
4	82	70	61	54	80	68	60	54	66	59	53	63	57	52			
5	75	62	53	46	73	61	53	46	59	51	46	57	50	45			
6	70	56	47	41	68	55	47	40	53	46	40	52	45	40			
7	65	51	42	36	63	50	42	36	48	41	35	47	40	35			
8	60	46	38	32	58	46	38	32	44	37	32	43	36	31			
9	56	43	34	29	55	42	34	29	41	34	29	40	33	28			
10	53	39	31	26	51	39	31	26	38	31	26	37	30	26			

Tested in accordance with IES standards utilizing absolute photometry per LM-79-08

MSD - Microwave Sensor:



Operating Voltage	120-277VAC, 50Hz/60Hz
Rated Load	400W@120VAC, 800W@220-277VAC (inductive) 800W@120VAC, 1200W@220-277VAC (resistive)
HF System	5.8GHz±75MHz, ISM wave band
Transmitting Power	<0.5mW
Power Consumption	≤ 0.8W(standby), <1.5W(operation)
Detection Zone	Max.(D x H): 16m x 15m
Detection Sensitivity	100% / 50%
Hold Time	5s / 30s / 90s / 3min / 20min / 30min
Daylight Sensor	50lux / 100lux / 200lux / Disable
Stand-by Period	5s / 5min / 10min / 30min / 1h / Disable
Stand-by Dimming Level	10% / 20% / 30% / 50%
Mounting Height	15m Max.
Motion Detection	0.5 - 3m/s
Detection Angle	360°
Operating Temperature	-35°C - 70°C
IP Rating	IP65



MWAVEDHS-REM

Handheld programming tool (sold separately)