



Project: \_\_\_\_\_  
 Location: \_\_\_\_\_  
 Cat. #: \_\_\_\_\_  
 Type: \_\_\_\_\_  
 Quantity: \_\_\_\_\_

LED

# CPG2 LED Parking Garage Canopy Light

## Features:

- High performance LED technology
- 0-10V dimming drivers standard
- Included easy-hang bracket fits standard 4" electrical box, allowing 1 person installation. Optional Quick-Mount Pendant Bracket available.
- Multi-level control based on motion and/or daylight detection allows for maximum energy savings with optional built-in microwave sensor.

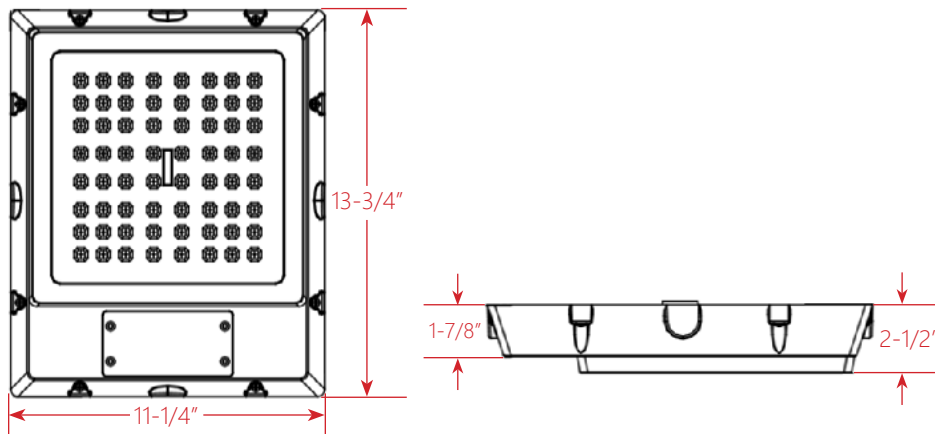
## Applications:

Suitable for most parking garage applications.

## Ambient Operating Temp:

- -40°C to 50°C
- 0°C to 50°C with EM option

## Schematics:



## Construction:

- Low profile aluminum housing
- UV stabilized clear acrylic lens
- Bronze or white powdercoat finish

## Certifications:

- CSA listed for wet locations (*damp locations when used with QMB*)
- IP66

## Predicted L70 Lifetime:

- >100,000 hrs (calculated)
- >60,000 hrs (reported)
- 85% lumen maintenance @ 60,000 hrs (*based on LM-80, TM-21 and in-situ laboratory testing*)

## Warranty:

- 5 year limited system warranty
- see [www.LumenFocus.com](http://www.LumenFocus.com) for complete warranty terms and conditions



## Ordering Guide:

example: CPG2 HI 5S UV CA 850-MSD WH

Series	Output	Optic	Voltage	Shielding	CRI/CCT	Mounting	Options	Finish
CPG2		5S	UV	CA				
CPG2	LW MD	5S	UV	CA	840	Blank QMB	SF DF SP MSD EM	BZ WH
	HI				840 850			Custom Colors Available Upon Request

**Lumen Output:** LW Low  
MD Medium  
HI High

**Optic:** 5S Type V Square

**Voltage:** UV 120-277V

**Shielding:** CA Clear Acrylic Lens

**CRI/CCT:** 840 80 CRI / 4000K  
850 80 CRI / 5000K (available on HI output only)

**Mounting:** Blank None  
QMB Quick-Mount Bracket (damp location rated)

**Options:** SF Single Fuse  
DF Double Fuse  
SP 10kV Surge Protection  
MSD Microwave Daylight/Motion Sensor with Dimming  
EM 4500 mAh Ni-MH Battery Back-up (90 min; 120-277V only)

**Finish:** BZ Bronze  
WH White  
(Custom Colors Available Upon Request)

### QMB - Quick Mount Bracket:



The QMB hinged quick-mount bracket allows for quick and easy installation. The stamped steel bracket can mount over recessed electrical box, or be used with 3/4" NPS pendant (supplied by others). CSA listed for damp location mounting.

### MSD - Microwave Sensor with Dimming:



- Internally Mounted Behind Lens
- Motion & Daylight Sensor
- 5 Light Level Setting for Daylight Harvesting
- Detects Motion Speed 2 to 10 ft per sec.
- Stand-by Dim Settings: 10%, 20%, 30%, 50%
- Vacant Stand-by Delay: 5s, 5min, 10min, 30min, 60min
- For 8' to 35' Mounting Heights
- 120-277V

## Performance Chart:

Catalog #	Lumens	Wattage	LPW	BUG Rating
CPG2 LW 5S UV CA 840	3630	31	119	B2-U2-G1
CPG2 MD 5S UV CA 840	4713	41	115	B2-U0-G1
CPG2 HI 5S UV CA 840	6203	54	115	B2-U0-G1

Catalog #	Lumens	Wattage	LPW	BUG Rating
CPG2 LW 5S UV CA 850	-	-	-	-
CPG2 MD 5S UV CA 850	-	-	-	-
CPG2 HI 5S UV CA 850	6444	54	120	B3-U0-G1

## Photometric Data:

### CPG2 HI 5S UV CA 850

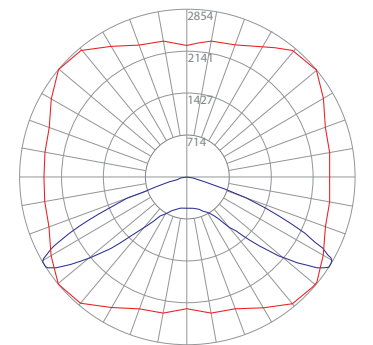
Test No.: Q2017101302  
**Luminaire Lumens:** 6,444 lm  
**Luminaire Watts:** 53.9W  
**Efficacy:** 119.6 LPW  
**Spacing Criterion (0-180):** 3.56  
**Spacing Criterion (90-270):** 3.60

### Luminance Data (cd/sq.m)

Angle In Degrees	Average 0-Deg	Average 45-Deg	Average 90-Deg
45	39374	40802	31164
55	78522	86370	67459
65	68612	93830	84720
75	6175	25309	21306
85	4874	9928	7342

### Coefficients Of Utilization - Zonal Cavity Method Effective Floor Cavity Reflectance 0.20

RC	80				70				50				30			
RW	70	50	30	10	70	50	30	10	50	30	10	50	30	10		
0	119	119	119	119	116	116	116	116	111	111	111	106	106	106		
1	107	102	97	92	104	99	95	91	95	91	88	91	88	85		
2	95	85	77	70	92	83	76	69	79	73	68	76	71	66		
3	84	71	61	54	81	70	60	53	66	58	52	63	57	51		
4	75	60	50	41	72	59	49	41	56	47	40	53	46	40		
5	67	51	41	33	64	50	40	32	48	39	32	46	38	32		
6	60	44	34	26	58	43	33	26	41	32	26	40	32	25		
7	55	39	29	21	53	38	28	21	36	28	21	35	27	21		
8	50	35	25	18	49	34	24	18	32	24	18	31	23	17		
9	46	31	21	15	45	30	21	15	29	21	15	28	20	15		
10	43	28	19	13	42	27	19	13	26	18	13	25	18	13		



— Vert. Plane  
— Horiz. Cone

### Zonal Lumen Summary

Zone	Lumens	%Fixt
0-20	208.01	3.20
0-30	503.34	7.80
0-40	1042.71	16.20
0-60	4349.64	67.50
0-80	6396.35	99.30
0-90	6444.46	100.00
90-120	0.00	0.00
90-130	0.00	0.00
90-150	0.00	0.00
90-180	0.00	0.00
0-180	6444.46	100.00

Tested in accordance with IES standards utilizing absolute photometry per LM-79-08