



Project: _____
 Location: _____
 Cat. #: _____
 Type: _____
 Quantity: _____

LED

GSL LED Gas Station Canopy Light

Features:

- High performance LED technology
- 0-10V dimming drivers standard
- Over 100 lumens per watt
- 6kV standard internal surge protection
- mounting system designed for typical canopy steel pan structures

Applications:

Suitable for most gas station canopy applications. Designed for typical canopy steel pan structures.

Predicted L70 Lifetime:

- > 100,000hrs @ 25°C ambient (calc.)
- > 60,000hrs @ 25°C ambient (reported) (based on LM-80, TM-21 and in-situ laboratory testing)

Ambient Operating Temp:

- -40°C to 50°C

Construction:

- Die cast aluminum housing
- Textured powdercoat finish over a chromate conversion coating
- Tempered clear flat glass lens

Certifications:

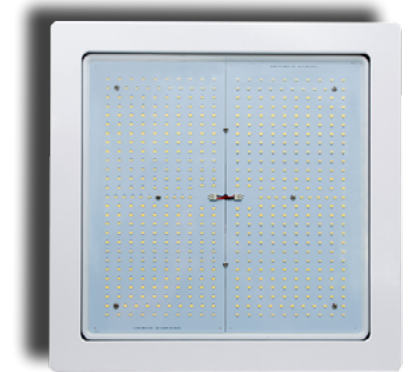
- CSA listed for wet locations
- IP66

Mounting:

The fixture housing is designed to emulate legacy HID canopy lights that mount through a 4" minimum diameter cut hole in the canopy. A galvanized steel back plate is provided to allow for installation over larger holes. Driver and power connection are made in an IP66 rated powder coated die cast mounting box above the canopy.

Warranty:

- 5 year limited system warranty
- see www.LumenFocus.com for complete warranty terms and conditions



Ordering Guide:

example: GSL MD 5 UV CL 850-SP WT

Series	Output	Optics	Voltage	Shielding	CRI/CCT	-	Options	Finish
GSL		5		CL	850	-		
GSL	MD HI	5	UV 34 48	CL	850		Blank SF DF SP	WT Custom Colors Available Upon Request

Lumen Output: MD Medium
HI High

CRI/CCT: 850 80 CRI / 5000K

Optics: 5 Type 5

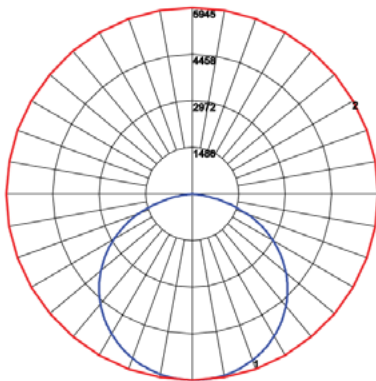
Options: Blank None
SF Single Fuse
DF Double Fuse
SP 10kV Surge Protection

Voltage: UV 120-277V
34 347V
48 480V

Finish: WT White

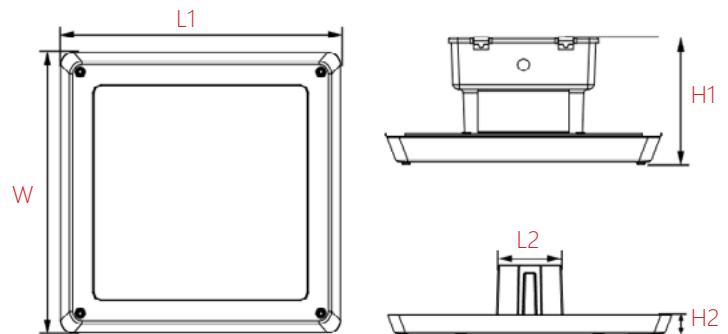
Shielding: CL Clear Tempered Glass

Photometric Data:



Maximum Candela = 5944.606 Located At Horizontal Angle = 90, Vertical Angle = 1
#1 - Vertical Plane Through Horizontal Angles (90 - 270) (Through Max. Cd.)
#2 - Horizontal Plane Through Vertical Angle (1) (Through Max. Cd.)

Schematics:



Catalog #	L1	L2	W	H1	H2
GSL MD 5 UV CL 850	16.5"	4"	16.5"	7.75"	1.25"
GSL HI 5 UV CL 850	19.875"	4"	19.875"	7.75"	1.25"

Performance Chart:

Catalog #	Lumens	Wattage	LPW	BUG Rating
GSL MD 5 UV CL 850	17,904	127	141	B3-U2-G2
GSL HI 5 UV CL 850	29,677	207	144	B4-U2-G2