



Project: \_\_\_\_\_  
 Location: \_\_\_\_\_  
 Cat. #: \_\_\_\_\_  
 Type: \_\_\_\_\_  
 Quantity: \_\_\_\_\_

LED

# PGS/PGM LED Parking Garage Canopy Light

### Features:

- High performance LED technology
- 0-10V dimming drivers standard on all models except PGS LW
- 2kV surge protection on PGS LW, 4kV surge protection on all other models. 10kV surge protection optional.
- Can be surface or pendant mounted for added flexibility
- Multi-level control based on motion and/or daylight detection allows for maximum energy savings with optional microwave sensor.

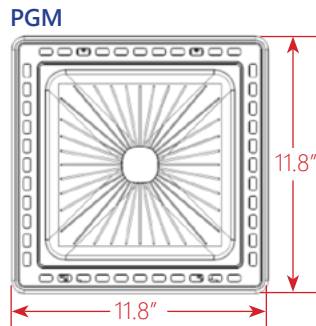
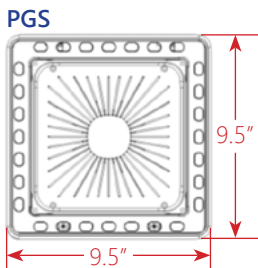
### Applications:

Suitable for most parking garage and canopy applications.

### Ambient Operating Temp:

- -20°C to 55°C

### Schematics:



### Construction:

- Die cast aluminum housing
- Polycarbonate lens
- Bronze or white powdercoat finish

### Certifications:

- cULus listed for wet locations
- IP65

### Predicted L70 Lifetime:

- >150,000 hrs (calculated)
- (based on LM-80, TM-21 and in-situ laboratory testing)*

### Warranty:

- 5 year limited system warranty
- see [www.LumenFocus.com](http://www.LumenFocus.com) for complete warranty terms and conditions



## Ordering Guide:

example: PGS MD 5 UV CP 850-MSD WH

Series	Output	Optic	Voltage	Shielding	CRI/CCT	Options	Finish
		5	UV	CP		-	
PGS	LW MD HI	5	UV	CP	840 850	SP MSD	BZ WH
PGM	VH						

**Series:** PGS 9.5" x 9.5" Housing  
PGM 11.8" x 11.8" Housing

**Shielding:** CP Clear Polycarbonate Lens

**Lumen Output:** LW Low (available in PGS only)  
MD Medium (available in PGS only)  
HI High (available in PGS only)  
VH Very High (available in PGM only)

**CRI/CCT:** 840 80 CRI / 4000K  
850 80 CRI / 5000K

**Options:** SP 10kV Surge Protection  
MSD Microwave Daylight/Motion Sensor with Dimming

**Optic:** 5 Type V

**Finish:** BZ Bronze  
WH White

**Voltage:** UV 120-277V

## Performance Chart:

Catalog #	Lumens	Wattage	LPW	BUG Rating
PGS LW 5 UV CP 840	3137	24	131	B2-U2-G1
PGS MD 5 UV CP 840	4943	40	124	B2-U2-G1
PGS HI 5 UV CP 840	7002	56	125	B3-U2-G1
PGM VH 5 UV CP 840	12516	102	123	B3-U3-G2

Catalog #	Lumens	Wattage	LPW	BUG Rating
PGS LW 5 UV CP 850	3149	24	131	B2-U2-G1
PGS MD 5 UV CP 850	5024	40	126	B2-U2-G1
PGS HI 5 UV CP 850	7077	56	126	B3-U2-G1
PGM VH 5 UV CP 850	12708	102	125	B3-U3-G2

## Photometric Data:

### PGS HI 5 UV CP 840

**Test No.:** T2018619 1034  
**Luminaire Lumens:** 7,002 lm  
**Luminaire Watts:** 55.6W  
**Efficacy:** 126.0 LPW  
**Spacing Criterion (0-180):** 1.88  
**Spacing Criterion (90-270):** 1.92

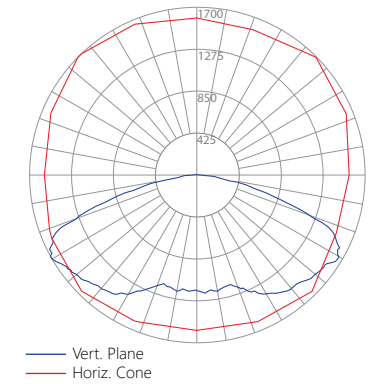
### Luminance Data (cd/sq.m)

Angle In Degrees	Average 0-Deg	Average 45-Deg	Average 90-Deg
45	67228	66876	68282
55	80086	84827	81348
65	95273	108431	101723
75	56526	77157	62892
85	37061	33090	43061

### Coefficients Of Utilization - Zonal Cavity Method Effective Floor Cavity Reflectance 0.20

RC	80				70				50				30			
RW	70	50	30	10	70	50	30	10	50	30	10	50	30	10		
0	119	119	119	119	116	116	116	116	111	111	111	106	106	106		
1	106	101	96	91	104	98	94	90	94	90	87	90	87	84		
2	95	85	77	70	92	83	76	69	79	73	67	76	70	66		
3	85	72	63	55	82	71	62	55	67	60	54	64	58	52		
4	76	63	52	45	74	61	52	44	58	50	43	56	49	43		
5	69	55	44	37	67	53	44	37	51	43	36	49	41	35		
6	63	48	38	31	61	47	38	31	45	37	30	43	36	30		
7	58	43	33	26	56	42	33	26	40	32	26	39	31	26		
8	54	39	29	23	52	38	29	23	37	28	23	35	28	22		
9	50	35	26	20	48	35	26	20	33	25	20	32	25	20		
10	47	32	24	18	45	32	23	18	30	23	18	29	22	17		

Tested in accordance with IES standards utilizing absolute photometry per LM-79-08



### Zonal Lumen Summary

Zone	Lumens	%Fixt
0-20	443.88	6.30
0-30	1047.94	15.00
0-40	1966.38	28.10
0-60	4571.83	65.30
0-80	6774.42	96.80
0-90	6946.39	99.20
90-120	42.13	0.60
90-130	46.21	0.70
90-150	52.06	0.70
90-180	55.41	0.80
0-180	7001.80	100.00