



Project: _____
 Location: _____
 Cat. #: _____
 Type: _____
 Quantity: _____

LED

DLE 56 5"/6" LED Down Light

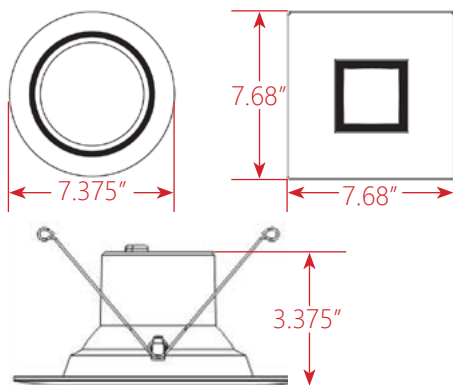
Features:

- High performance LED technology
- Dimmable to 10% with most dimmers
- Compatible with most 5" & 6" housings
- Compatible with insulated, non-insulated, and air-tight ceilings
- From 2700K to 5000K color temperature options

Applications:

- Suitable for most commercial, industrial and institutional applications
- Retail
 - Hospitality
 - Office
 - Residential

Schematic:



Construction:

- Durable thermoplastic construction
- E26 medium screw-base Edison connector allows for easy retrofit of incandescent housings
- Adjustable torsion spring designed to fit 5" or 6" housing allows for toolless installation

Certifications:

- ETL US and Canada Listed for wet locations
- Passes FCC Class B
- RoHS compliant

Predicted L70 Lifetime:

- 50,000 hrs (reported)
 (based on LM-80, TM-21 and in-situ laboratory testing)

Ambient Operating Temp:

- -20°C to 40°C

Warranty:

- 5 year limited system warranty
- see www.LumenFocus.com for complete warranty terms and conditions



DLE 56 5"/6" LED Down Light



Ordering Guide:

example: DLE 56 MD 12 WBSQ 827-6ICNC

Series	Size	Output	Voltage	Reflector Trim	CRI/CCT	-	Frame
DLE	56		12			-	
DLE	56	MD	12	WB WA BK NK BZ WBSQ	827 830 835 840 850		Blank 6ICNC 6ICRM

Size: 56 5" and 6"

CRI/CCT: 827 80 CRI / 2700K
830 80 CRI / 3000K
835 80 CRI / 3500K
840 80 CRI / 4000K
850 80 CRI / 5000K

Output: MD Medium

Voltage: 12 120V

Reflector Trim: WB White Baffle (Round)
WA Silver with White Trim (Round)
BK Black (Round)
NK Nickel (Round)
BZ Bronze (Round)
WBSQ White Baffle (Square)

Frame: Blank None
6ICNC 6" IC New Construction Frame-in Kit
6ICRM 6" IC Remodeler Frame-in Kit

Performance Chart:

Catalog #	Lumens	Watts	LPW
DLE 56 MD 12 WB 827	800	12	67
DLE 56 MD 12 WB 830	820	12	68
DLE 56 MD 12 WB 835	830	12	69
DLE 56 MD 12 WB 840	840	12	70
DLE 56 MD 12 WB 850	860	12	72

DLE 56 5"/6" LED Down Light



Frame-In Kits:

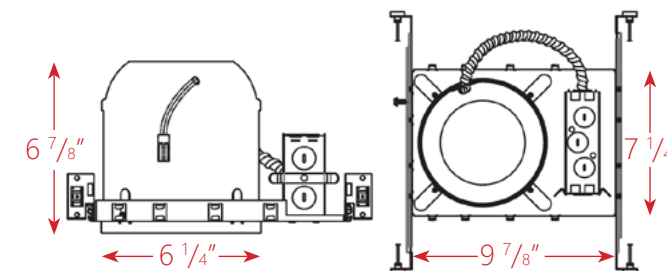


New Construction Applications: 6ICNC

Designed for new construction applications and in ceilings with direct contact with insulation. Air tight construction provides reduced energy costs.

Features:

- cULus Listed for damp locations
- Galvanized steel construction with removeable housing for easy access to the junction box
- Listed for through branch circuit wiring
- Pre-installed Real nail easily installs in regular and engineered lumber
- Adjustable bar hangers from 13 5/8" - 25" and can be repositioned 90° on plaster frame
- Contains one 1 1/8", six 7/8" knockouts and four Romex pryouts with strain relief



Remodel Applications: 6ICRM

Designed for remodel applications and in ceilings with direct contact with insulation. Air tight construction provides reduced energy costs.

Features:

- cULus Listed for damp locations
- Galvanized steel construction with removeable housing for easy access to the junction box
- Listed for through branch circuit wiring
- Four remodel clips secure housing and accommodates 1/2" and 5/8" ceiling materials
- Housing adjusts from 5/8" to 1 3/8" to accommodate various ceiling thicknesses
- Contains one 1 1/8", six 7/8" knockouts and four Romex pryouts with strain relief

