



Project: _____
 Location: _____
 Cat. #: _____
 Type: _____
 Quantity: _____

LED

EPR LED Non-Cutoff Wall Pack

Features:

- High performance LED technology
- Uniform illumination with no visible LED pixilation
- Removable threaded plugs for side attachment of 1/2" rigid electrical conduit, or for button photocells

Applications:

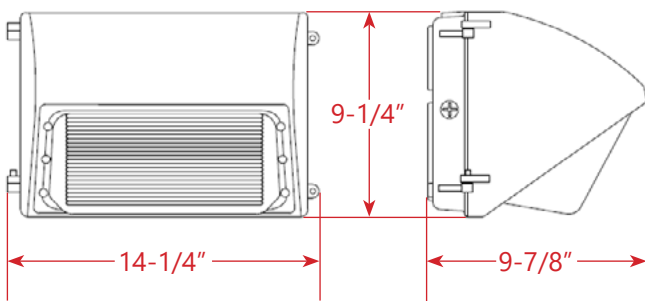
Suitable for most exterior wall mount applications

- Industrial
- Retail
- Commercial

Warranty:

- 5 year limited system warranty
- see www.LumenFocus.com for complete warranty terms and conditions

Schematics:



Construction:

- Die cast aluminum housing
- Clear polycarbonate lens with seamless silicone gasket to prevent leaks
- Dark Bronze powder coat finish

Certifications:

- UL listed for wet locations
- IP65

Predicted L70 Lifetime:

- 141,000 hrs (*calculated*)
 (based on LM-80, TM-21 and in-situ laboratory testing)

Ambient Operating Temp:

- -20°C to 45°C



Model	Weight
EPR VL	7.0 lbs.
EPR LW	7.3 lbs
EPR MD	8.0 lbs
EPR HI	8.3 lbs
EPR VH	8.3 lbs



EPR LED Non-Cutoff Wall Pack

Ordering Guide:

example: EPR MD F UV CPC 840-BZ

Series	Output	Optic	Voltage	Shielding	CRI/CCT	-	Finish
EPR		F	UV	CPC		-	BZ
EPR	VL LW MD HI VH	F	UV	CPC	840 850		BZ

Accessories:

PPC(UV) - Pencil Photocell (120-277V)

Lumen Output: VL Very Low
LW Low
MD Medium
HI High
VH Very High

Voltage: UV 120-277V

Shielding: CPC Clear Polycarbonate

CRI/CCT: 840 80 CRI / 4000K
850 80 CRI / 5000K

Optic: F Forward

Finish: BZ Bronze

Performance Chart:

Catalog #	Watts	Lumens (840)	LPW (840)	Lumens (850)	LPW (850)
EPR VL F UV CPC xxx	36	4632	129	4726	131
EPR LW F UV CPC xxx	57	7588	133	7728	136
EPR MD F UV CPC xxx	77	9486	123	9680	126
EPR HI F UV CPC xxx	101	13065	129	13295	132
EPR VH F UV CPC xxx	119	15523	130	15787	133

Photometric Data:

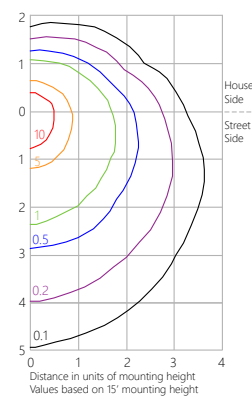
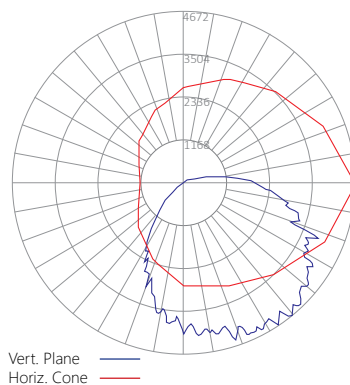
EPR HI F UV CPC 840

Test No.: TN20171110a

Luminaire Lumens: 13,065 lm

Luminaire Watts: 30W

Efficacy: 130 LPW



Lum. Classification System (LCS)

LCS Zone	Lumens	%Lum
FL (0-30)	1633.8	12.5
FM (30-60)	3917.1	30.0
FH (60-80)	2450.2	18.8
FVH (80-90)	778.9	6.0
BL (0-30)	1300.7	10.0
BM (30-60)	1583.9	12.1
BH (60-80)	401.8	3.1
BVH (80-90)	61.9	0.5
UL (90-100)	484.0	3.7
UH (100-180)	452.8	3.5
Total	13065.1	100.0

BUG Rating

B3-U3-G5