



Project: \_\_\_\_\_  
 Location: \_\_\_\_\_  
 Cat. #: \_\_\_\_\_  
 Type: \_\_\_\_\_  
 Quantity: \_\_\_\_\_

LED

# VPJE LED Vaporproof Light

## Features:

- High performance LED technology
- Shields against dust, moisture, and vapor from entering into luminaire

## Applications:

Suitable for most indoor or outdoor applications where moisture or debris are an issue.

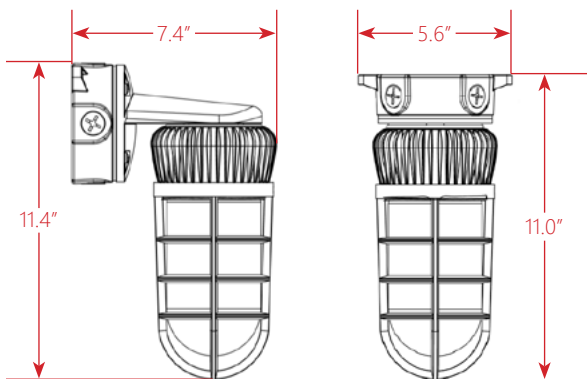
## Mounting:

- Built in junction box with 5" mounting flanges and 1/2" NPT for threaded conduit on the sides
- Available in wall or ceiling mount options

## Ambient Operating Temp:

- -30°C to 40°C

## Schematics:



## Construction:

- Die-cast aluminum back plate, junction box, and heat sink
- Thermal impact-resistant frosted polycarbonate globe
- Die-cast threaded cage guard secured with stainless steel hardware.
- Shot blasted aluminum finish

## Certifications:

- cULus listed for wet locations

## Predicted L70 Lifetime:

- > 50,000 hrs

## Warranty:

- 5 year limited system warranty
- see [www.LumenFocus.com](http://www.LumenFocus.com) for complete warranty terms and conditions



## Ordering Guide:

example: VPJE HI UV FP 740-WM GY

Series	Output	Voltage	Shielding	CRI/CCT	-	Mounting	Finish
VPJE	HI	UV	FP	740	-		GY
VPJE	HI	UV	FP	740		CM WM	GY

<b>Lumen Output:</b>	HI	High		<b>Mounting:</b>	CM	Ceiling Mount
					WM	Wall Mount
<b>Voltage:</b>	UV	120-277V		<b>Finish:</b>	GY	Gray
<b>Shielding:</b>	FP	Frosted Polycarbonate				
<b>CRI/CCT:</b>	740	70 CRI / 4000K				

## Photometric Data:

### VPJE HI UV FP 740

Test No.: 20171207

Luminaire Lumens: 1420 lm

Luminaire Watts: 13.4W

Efficacy: 106.0 LPW

