



Project: _____
 Location: _____
 Cat. #: _____
 Type: _____
 Quantity: _____

LED

WPM LED Wall Pack

Features:

- High performance LED technology
- Integral Photocell
- 0-10V dimming driver standard

Applications:

- Suitable for commercial or residential exterior wall mount applications
- Entryways
 - Perimeter/Security Lighting

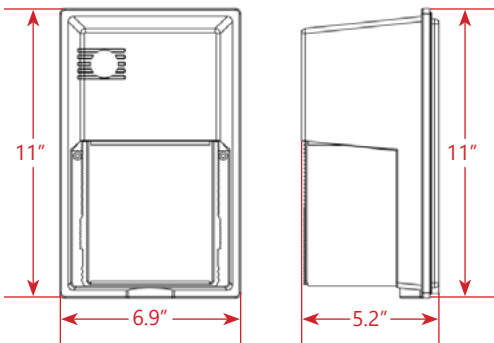
Ambient Operating Temp:

- -20°C to 40°C

Predicted L70 Lifetime:

- > 50,000 hrs

Schematic:



Weight:
5.5 lbs

Construction:

- Die-cast aluminum rear housing with impact resistant, UV-stabilized polycarbonate front housing
- Impact resistant, UV-stabilized prismatic polycarbonate lens
- Chip and fade resistant powder coat finish in dark bronze

Certifications:

- cULus listed for wet locations
- IP65

Warranty:

- 5 year limited system warranty
- see www.LumenFocus.com for complete warranty terms and conditions



Ordering Guide:

example: WPM HI F UV CPP 740-PC BZ

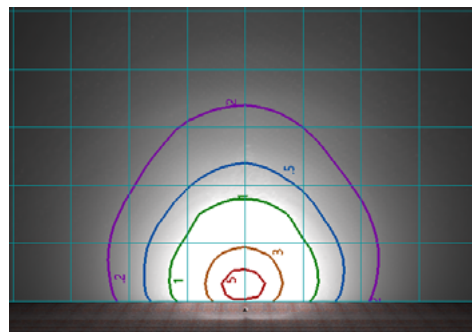
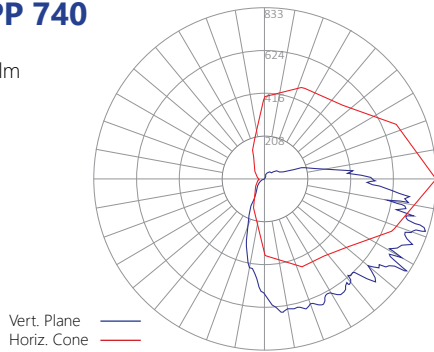
Series	Output	Optic	Voltage	Shielding	CRI/CCT	-	Options	Finish
WPM	HI	F	UV	CPP	740	-	PC	BZ
WPM	HI	F	UV	CPP	740		PC	BZ

- Series:** WPM Wall Pack
- Lumen Output:** HI High
- Optic:** F Forward
- Voltage:** UV 120-277V
- Shielding:** CPP Clear Prismatic Polycarbonate
- CRI/CCT:** 740 70 CRI / 4000K
- Options:** PC Photocell
- Finish:** BZ Bronze

Photometric Data:

WPM HI F UV CPP 740

Test No.: 20180106
Luminaire Lumens: 2,468 lm
Luminaire Watts: 20.6W
Efficacy: 119.8 LPW



Mounting Height = 10'
 Grid: 10' x 10' squares
 Isolines at:
 5fc/3fc/1fc/0.5fc/0.2fc

Tested in accordance with IES standards utilizing absolute photometry per LM-79-08