



Project: _____
 Location: _____
 Cat. #: _____
 Type: _____
 Quantity: _____

LED

HZL 2 LED Hazardous Location

Features:

- High performance LED technology
- 0-10V dimming drivers standard
- Class 1, Division 2 Hazardous Location rated
- Available with clear or frosted lens
- Suitable for ceiling or wall mounting

Applications:

- Suitable for most interior or exterior Class 1, Division 2 hazardous location applications
- Industrial
 - Manufacturing

Ambient Operating Temp:

- -25°C to 40°C

Predicted L70 Lifetime:

- > 100,000 hrs (calculated)
- > 60,000 hrs (reported)
(based on LM-80, TM-21 and in-situ laboratory testing)

Construction:

- Heavy-duty die cast aluminum housing and top frame
- 1/2" tapped coin plug openings for wiring entrance conduits
- Vandal resistant polycarbonate lens available in clear or frosted
- Powdercoat finish over a chromate conversion coating

Certifications:

- ETL listed for Hazardous Locations per UL844
- Class 1, Division 2, Groups A,B,C,D
- T4 Temperature Rating
- IP66

Warranty:

- 5 year limited system warranty - see www.LumenFocus.com for complete warranty terms and conditions



Ordering Guide:

example: HZL 2 MD UV CP 840-AB PT

Series	Length	Output	Voltage	Shielding	CRI/CCT	-	Mounting	Finish
HZL	2					-		PT
HZL	2	LW MD	UV 34 48	CP FP	840 850		Blank AB YK	PT

Length: 2 2'

Lumen Output: LW Low, MD Medium

Voltage: UV 120-277V, 34 347V, 48 480V

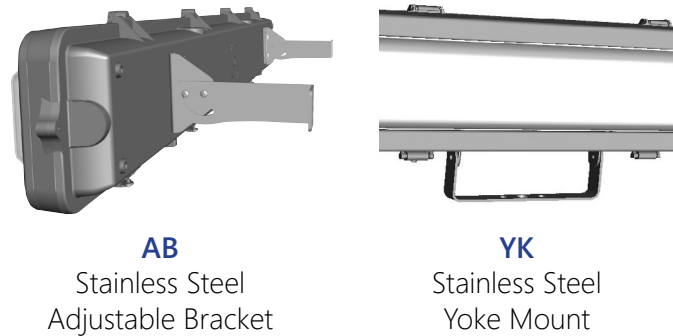
Shielding: CP Clear Polycarbonate, FP Frosted Polycarbonate

CRI/CCT: 840 80 CRI / 4000K, 850 80 CRI / 5000K

Mounting: Blank None - Surface Mount, AB Adjustable Bracket, YK Yoke Mount

Finish: PT Platinum

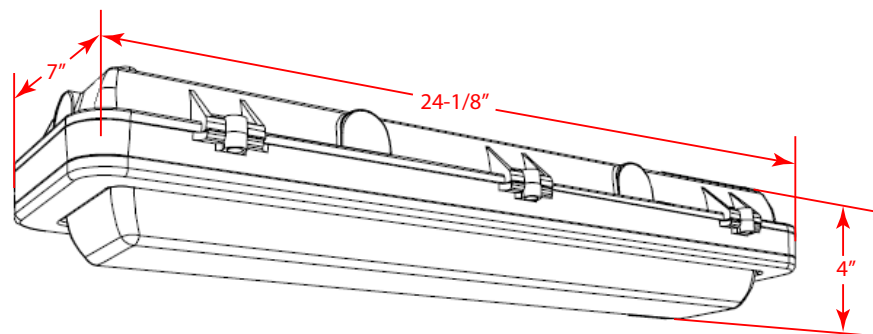
Mounting:



Performance Chart:

Catalog #	Watts	Lumens (840)	LPW (840)	Lumens (850)	LPW (850)
HZL 2 LW UV CP xxx	58	7017	121.4	7309	126.4
HZL 2 LW UV FP xxx	58	5695	99.9	5932	104.1
HZL 2 MD UV CP xxx	77	9882	127.8	10294	133.2
HZL 2 MD UV FP xxx	77	8021	103.9	8356	108.2

Schematic:



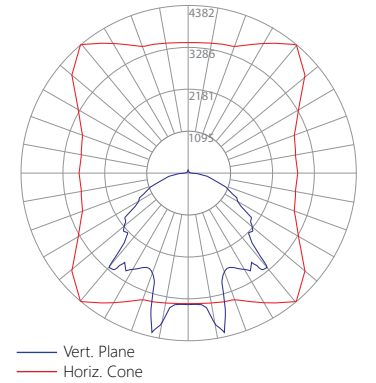
Photometric Data:

HZL 2 MD UV CP 850

Test No.: Q2016121601
 Luminaire Lumens: 10,294 m
 Luminaire Watts: 77.3W
 Efficacy: 133.2 LPW
 Spacing Criterion (0-180): 1.22
 Spacing Criterion (90-270): 1.32

Luminance Data (cd/sq.m)

Angle In Degrees	Average 0-Deg	Average 45-Deg	Average 90-Deg
45	37037	39466	54384
55	32471	35967	49746
65	26878	28283	41183
75	20464	19689	25761
85	6560	6931	9342



Coefficients Of Utilization - Zonal Cavity Method

Effective Floor Cavity Reflectance 0.20

RC	80				70				50				30				
RW	70	50	30	10	70	50	30	10	50	30	10	50	30	10	50	30	10
0	119	119	119	119	116	116	116	116	110	110	110	105	105	105			
1	108	104	99	95	105	101	97	94	96	93	90	92	90	87			
2	98	90	83	78	96	88	82	77	84	79	74	81	76	72			
3	90	79	71	64	87	77	70	64	74	68	62	71	66	61			
4	82	70	61	55	80	69	60	54	66	59	53	63	57	52			
5	75	63	54	47	73	61	53	47	59	52	46	57	50	45			
6	70	56	47	41	68	55	47	41	53	46	40	51	45	40			
7	65	51	42	36	63	50	42	36	48	41	35	47	40	35			
8	60	47	38	32	58	46	38	32	44	37	32	43	36	31			
9	56	43	34	29	55	42	34	29	41	34	29	39	33	28			
10	53	39	31	26	51	39	31	26	38	31	26	37	30	26			

Tested in accordance with IES standards utilizing absolute photometry per LM-79-08

Zonal Lumen Summary

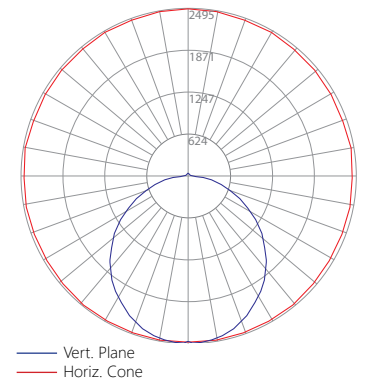
Zone	Lumens	%Fixt
0-20	1281.59	12.50
0-30	2733.11	26.60
0-40	4508.23	43.80
0-60	8011.05	77.80
0-80	9904.92	96.20
0-90	10101.91	98.10
90-120	127.74	1.20
90-130	134.27	1.30
90-150	152.13	1.50
90-180	191.79	1.90
0-180	10293.70	100.00

HZL 2 MD UV FP 850

Test No.: Q2016121501
 Luminaire Lumens: 8,356 lm
 Luminaire Watts: 77.2W
 Efficacy: 108.2 LPW
 Spacing Criterion (0-180): 1.30
 Spacing Criterion (90-270): 1.26

Luminance Data (cd/sq.m)

Angle In Degrees	Average 0-Deg	Average 45-Deg	Average 90-Deg
45	29653	29220	33395
55	27958	27323	31149
65	26159	24915	28002
75	23392	21601	23113
85	20573	17424	14182



Coefficients Of Utilization - Zonal Cavity Method

Effective Floor Cavity Reflectance 0.20

RC	80				70				50				30				
RW	70	50	30	10	70	50	30	10	50	30	10	50	30	10	50	30	10
0	118	118	118	118	114	114	114		108	108	108	102	102	102			
1	106	100	95	91	102	97	93	89	92	88	85	87	84	81			
2	95	86	79	73	92	84	77	71	79	74	69	75	70	66			
3	87	75	67	60	83	73	65	59	69	62	57	66	60	55			
4	79	66	57	50	76	65	56	49	61	54	48	58	52	47			
5	72	59	50	43	70	58	49	42	55	47	41	52	45	40			
6	67	53	44	37	64	52	43	37	49	42	36	47	40	35			
7	62	48	39	33	60	47	38	32	45	37	32	43	36	31			
8	58	44	35	29	56	43	34	29	41	33	28	39	32	28			
9	54	40	32	26	52	39	31	26	38	30	25	36	30	25			
10	50	37	29	24	49	36	28	23	35	28	23	33	27	23			

Tested in accordance with IES standards utilizing absolute photometry per LM-79-08

Zonal Lumen Summary

Zone	Lumens	%Fixt
0-20	897.78	10.70
0-30	1905.64	22.80
0-40	3131.01	37.50
0-60	5660.91	67.80
0-80	7420.38	88.80
0-90	7838.60	93.80
90-120	467.93	5.60
90-130	476.28	5.70
90-150	489.20	5.90
90-180	516.91	6.20
0-180	8355.51	100.00