

Project: _____
 Location: _____
 Cat. #: _____
 Type: _____
 Quantity: _____

LED

RLK W2 LED Board/Driver 2' Wrap Retrofit Kit

Features:

- High performance, long life LED technology
- 0-10V dimming drivers standard
- Up to 140 lumens per watt
- Pre-wired components and driver quick-disconnect allows for quick and easy installation, saving on labor costs
- A wide variety of lumen packages allows for flexibility in design and helps maximize energy savings
- Replaces up to 4 lamp F17 T8 systems

Applications:

For use in most existing 2' wrap luminaires. For dry/indoor use only.

Note: Contractor/engineer must ensure proper fit in existing luminaire housing.

Ambient Operating Temp:

- -30°C to 40°C

Certifications:

- UL 1598c listed for US and Canada, suitable for damp locations
- RoHS compliant

Predicted Lifetime:

- L70 > 160,000hrs (calculated)
- L90 > 60,000hrs (reported)
- 90.6% lumen maint. @ 60,000 hrs (based on LM-80, TM-21 and in-situ laboratory testing)

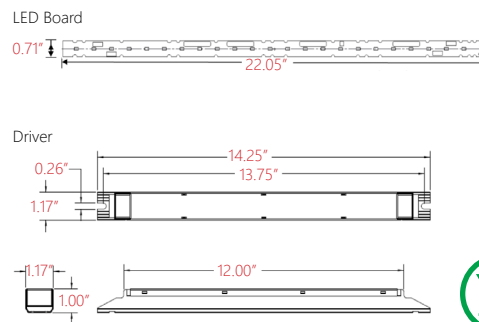
Construction:

- Pre-wired boards and 0-10V driver
- Kit comes with (1 or 2) 2' LED boards wired for (1 or 2) 2' rows of LEDs
- Magnetic fasteners come standard and allow for easy application and adjustment of boards onto existing housing

Warranty:

- 5 year limited system warranty see www.LumenFocus.com for complete warranty terms and conditions

Schematic:



Powered by:



Ordering Guide:

example: RLK W2 1 HI UV 840

Retrofit Type: W2 2' Wrap

Series	Retrofit Type	# of Rows*	Output	Voltage	CRI/CCT	Options
RLK	W2			UV		-
RLK	W2	1	MD HI	UV	830 835 840 850	Blank LVL BAA
		2	SL VL LW MD HI VH			

* 1 row kits should be used to retrofit 1 lamp wraps
2 row kits should be used to retrofit 2, 3, or 4 lamp wraps

of Rows: 1 (1) 2' Row of LEDs
2 (2) 2' Rows of LEDs

Lumen Output: SL Super Low (2 row only)
VL Very Low (2 row only)
LW Low (2 row only)
MD Medium
HI High
VH Very High (2 row only)

Voltage: UV 120-277V

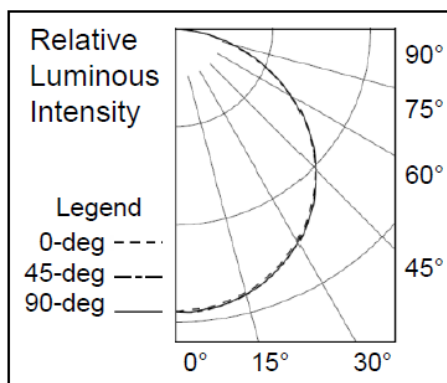
CRI/CCT: 830 80 CRI / 3000K
835 80 CRI / 3500K
840 80 CRI / 4000K
850 80 CRI / 5000K

Options: Blank None
LVL 0-10V Dimming Leads for Easy Field Access
BAA Buy American Act compliant

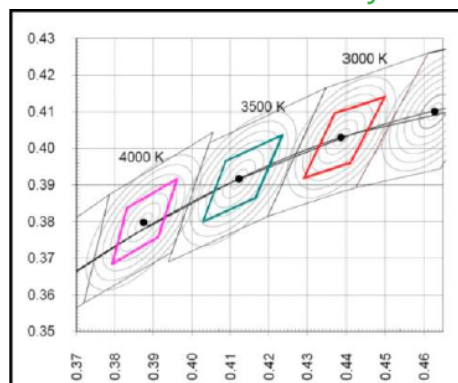
Performance Chart:

Catalog #	Lumens (3000K)	Watts (3000K)	LPW (3000K)	Lumens (3500K)	Watts (3500K)	LPW (3500K)	Lumens (4000K)	Watts (4000K)	LPW (4000K)	Lumens (5000K)	Watts (5000K)	LPW (5000K)
RLK W2 2 SL UV 8xx	1512	12	126.0	1518	12	126.5	1562	12	130.2	1578	12	131.5
RLK W2 2 VL UV 8xx	1864	15	124.3	1872	15	124.8	1926	15	128.4	1945	15	129.7
RLK W2 2 LW UV 8xx	2441	20	122.1	2451	20	122.6	2522	20	126.1	2547	20	127.4
RLK W2 2 MD UV 8xx	3307	25	132.3	3320	25	132.8	3416	25	136.6	3450	25	138.0
RLK W2 2 HI UV 8xx	3589	27	132.9	3604	27	133.5	3708	27	137.3	3745	27	138.7
RLK W2 2 VH UV 8xx	4212	32	131.6	4230	32	132.2	4351	32	136.0	4395	32	137.3
RLK W2 1 MD UV 8xx	1511	12	125.9	1517	12	126.4	1561	12	130.0	1576	12	131.3
RLK W2 1 HI UV 8xx	1795	15	119.6	1802	15	120.1	1854	15	123.6	1873	15	124.8

Photometric Distribution



Color Consistency



Spectral Power Distribution

