



Project: _____
 Location: _____
 Cat. #: _____
 Type: _____
 Quantity: _____

LED

WPP LED Wall Pack

Features:

- High performance LED technology
- Integral Photocell - black-out sticker to disable photocell included
- Attractive architectural styling
- Detachable mounting plate with hanging wire allows for simple hands-free installation when making electrical connections

Applications:

- Suitable for commercial or residential exterior wall mount applications
- Entryways
 - Perimeter/Security Lighting

Ambient Operating Temp:

- -20°C to 40°C

Construction:

- Impact resistant, UV-stabilized polycarbonate housing in bronze finish
- Impact resistant, UV-stabilized polycarbonate frosted white lens

Certifications:

- cULus listed for wet locations
- IP65

Predicted L70 Lifetime:

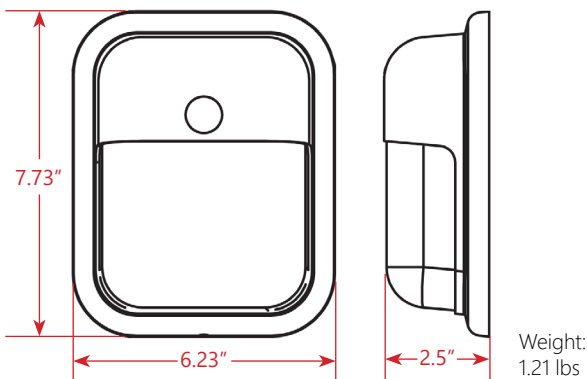
- > 50,000 hrs

Warranty:

- 5 year limited system warranty
- see www.LumenFocus.com for complete warranty terms and conditions



Schematic:



Ordering Guide:

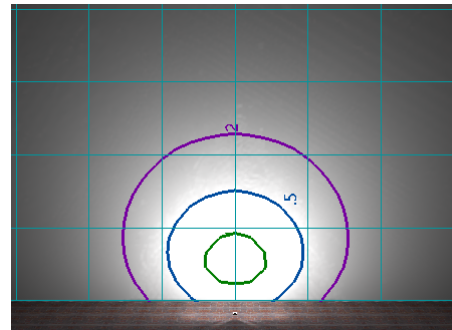
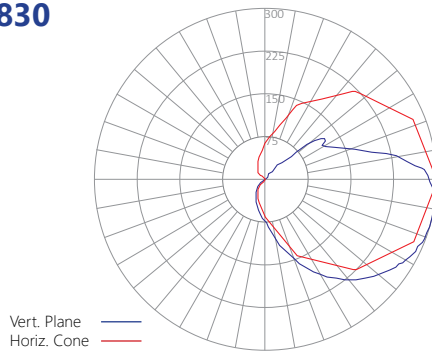
Series	Output	Optic	Voltage	Shielding	CRI/CCT	-	Controls	Finish
WPP	MD	F	12	FP	830	-	PC	BZ

- Series:** WPP Wall Pack
- Lumen Output:** MD Medium
- Optic:** F Forward
- Voltage:** 12 120V
- Shielding:** FP Frosted Polycarbonate
- CRI/CCT:** 830 80 CRI / 3000K
- Controls:** PC Photocell
- Finish:** BZ Bronze

Photometric Data:

WPP MD F 12 FP 830

Test No.: 20180711
Luminaire Lumens: 958 lm
Luminaire Watts: 11.8W
Efficacy: 81.2 LPW



Mounting Height = 10'
 Grid: 10' x 10' squares

Isolines at:
 1fc/0.5fc/0.2fc

Tested in accordance with IES standards utilizing absolute photometry per LM-79-08