



Project: _____
 Location: _____
 Cat. #: _____
 Type: _____
 Quantity: _____

LED

WSP LED Wall Sconce

Features:

- High performance LED technology
- Integral Photocell - black-out sticker to disable photocell included
- Attractive architectural styling
- Dual control enabled allows for dusk to dawn operation or manual switch

Applications:

- Suitable for commercial or residential exterior wall mount applications
- Entryways
 - Perimeter/Security Lighting

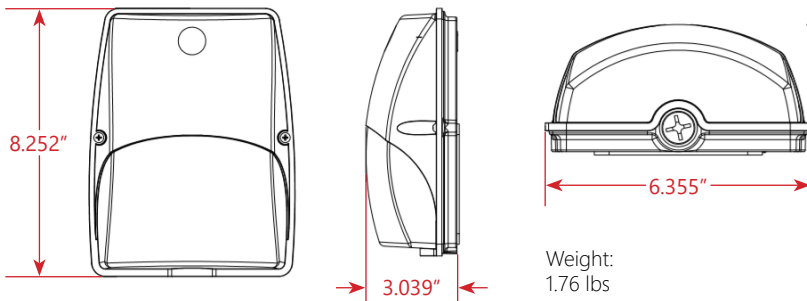
Ambient Operating Temp:

- -20°C to 40°C

Predicted L70 Lifetime:

- > 50,000 hrs

Schematic:



Construction:

- Impact resistant, UV-stabilized polycarbonate front housing with die cast aluminum back plate in bronze finish
- Impact resistant, UV-stabilized polycarbonate frosted white lens

Certifications:

- cULus listed for wet locations
- IP65

Warranty:

- 5 year limited system warranty
- see www.LumenFocus.com for complete warranty terms and conditions



Ordering Guide:

Series	Output	Optic	Voltage	Shielding	CRI/CCT	-	Controls	Finish
WSP	MD	F	UV	FP	840	-	PC	BZ

Series: WSP Wall Sconce

Lumen Output: MD Medium

Optic: F Forward

Voltage: UV 120-277V

Shielding: FP Frosted Polycarbonate

CRI/CCT: 840 80 CRI / 4000K

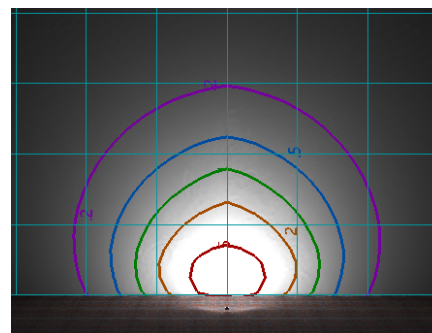
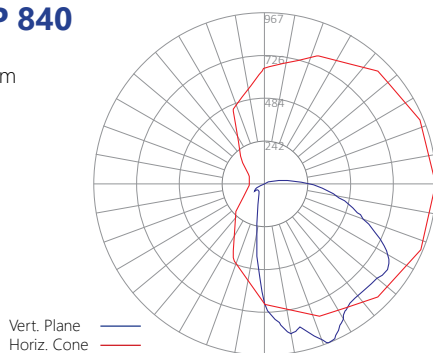
Controls: PC Photocell

Finish: BZ Bronze

Photometric Data:

WSP MD F UV FP 840

Test No.: 20170223
Luminaire Lumens: 2030 lm
Luminaire Watts: 20.5W
Efficacy: 99.0 LPW
BUG Rating: B1-U3-G2



Mounting Height = 10'
 Grid: 10' x 10' squares

Isolines at:
 5fc/2fc/1fc/0.5fc/0.2fc

Tested in accordance with IES standards utilizing absolute photometry per LM-79-08