



Project: \_\_\_\_\_  
 Location: \_\_\_\_\_  
 Cat. #: \_\_\_\_\_  
 Type: \_\_\_\_\_  
 Quantity: \_\_\_\_\_

LED

# DLL 56 5"/6" LED Down Light

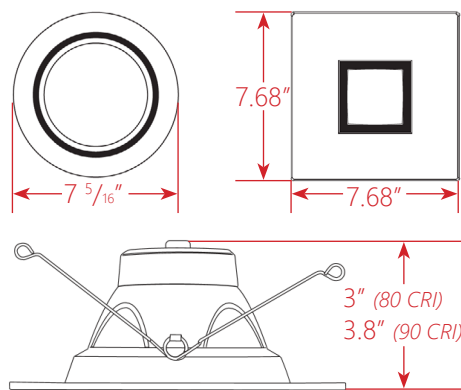
### Features:

- High performance LED technology
- Dimmable to 10% with most dimmers
- Compatible with most 5" & 6" housings
- Compatible with insulated, non-insulated, and air-tight ceilings
- From 2700K to 4000K color temperature options
- 90 CRI available - meets Title 24, 2016 requirements

### Applications:

- Suitable for most commercial, industrial and institutional applications
- Retail
  - Hospitality
  - Office
  - Residential

### Schematic:



### Construction:

- Durable thermoplastic construction
- E26 medium screw-base Edison connector allows for easy retrofit of incandescent housings
- Adjustable torsion spring designed to fit 5" or 6" housing allows for toolless installation

### Certifications:

- ETL US and Canada Listed for wet locations
- Passes FCC Class B
- RoHS compliant
- Meets State of California Title 24, 2016 requirements (*90 CRI models*)

### Predicted L70 Lifetime:

- 50,000 hrs (reported)  
 (based on LM-80, TM-21 and in-situ laboratory testing)

### Ambient Operating Temp:

- -20°C to 40°C

### Warranty:

- 5 year limited system warranty
- see [www.LumenFocus.com](http://www.LumenFocus.com) for complete warranty terms and conditions



# DLL 56 5"/6" LED Down Light



## Ordering Guide:

example: DLL 56 HI 12 WB 927-6ICNC

| Series | Size | Output | Voltage | Reflector Trim                     | CRI/CCT           | - | Frame                   |
|--------|------|--------|---------|------------------------------------|-------------------|---|-------------------------|
| DLL    | 56   |        | 12      |                                    |                   | - |                         |
| DLL    | 56   | HI     | 12      | WB<br>WA<br>BK<br>NK<br>BZ<br>WBSQ | 927<br>930<br>940 |   | Blank<br>6ICNC<br>6ICRM |

**Size:** 56 5" and 6"

**CRI/CCT:** 927 90 CRI / 2700K  
930 90 CRI / 3000K  
940 90 CRI / 4000K

**Output:** HI High

**Voltage:** 12 120V

**Frame:** Blank None  
6ICNC 6" IC New Construction Frame-in Kit  
6ICRM 6" IC Remodeler Frame-in Kit

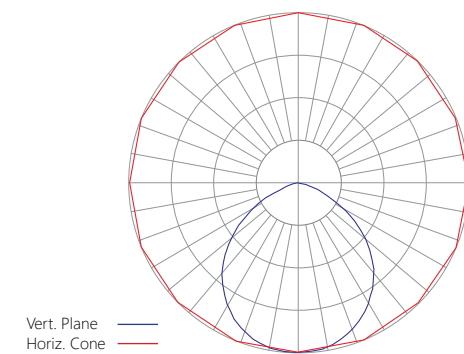
**Reflector Trim:** WB White Baffle (Round)  
WA Silver with White Trim (Round)  
BK Black (Round)  
NK Nickel (Round)  
BZ Bronze (Round)  
WBSQ White Baffle (Square)

## Performance Chart:

| Catalog #           | Lumens | Watts | LPW | Title 24, 2016 |
|---------------------|--------|-------|-----|----------------|
| DLL 56 HI 12 WB 927 | 1200   | 16    | 75  | Yes            |
| DLL 56 HI 12 WB 930 | 1200   | 16    | 75  | Yes            |
| DLL 56 HI 12 WB 940 | 1200   | 16    | 75  | Yes            |

## Photometric Data:

Relative Luminous Intensity



# DLL 56 5"/6" LED Down Light



## Frame-In Kits:

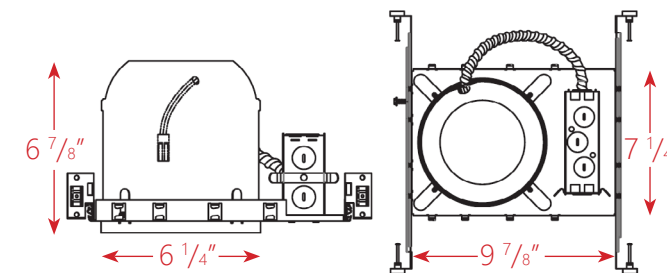


### New Construction Applications: 6ICNC

Designed for new construction applications and in ceilings with direct contact with insulation. Air tight construction provides reduced energy costs.

#### Features:

- cULus Listed for damp locations
- Galvanized steel construction with removeable housing for easy access to the junction box
- Listed for through branch circuit wiring
- Pre-installed Real nail easily installs in regular and engineered lumber
- Adjustable bar hangers from 13 3/8" - 25" and can be repositioned 90° on plaster frame
- Contains one 1 1/8", six 7/8" knockouts and four Romex pryouts with strain relief



### Remodel Applications: 6ICRM

Designed for remodel applications and in ceilings with direct contact with insulation. Air tight construction provides reduced energy costs.

#### Features:

- cULus Listed for damp locations
- Galvanized steel construction with removeable housing for easy access to the junction box
- Listed for through branch circuit wiring
- Four remodel clips secure housing and accommodates 1/2" and 5/8" ceiling materials
- Housing adjusts from 5/8" to 1 3/8" to accommodate various ceiling thicknesses
- Contains one 1 1/8", six 7/8" knockouts and four Romex pryouts with strain relief

