

Project: _____
 Location: _____
 Cat. #: _____
 Type: _____
 Quantity: _____

LED

PBLU 2 LED Lensed High Bay

Features:

- High performance LED technology
- 0-10V dimming drivers standard
- Field replaceable LED boards and drivers
- Multiple sheilding options available to help minimize glare and improve aesthetics

Applications:

- Suitable for most commercial, industrial and institutional applications
- Retail
 - Warehouse
 - Manufacturing
 - Gymnasiums

Ambient Operating Temp:

- -30°C to 40°C

Predicted L70 Lifetime:

- Up to 189,000 hrs (calculated)
(L70 information for specific configurations available upon request)
- For BAA compliant configurations - up to 189,000 hrs (calculated)

Construction:

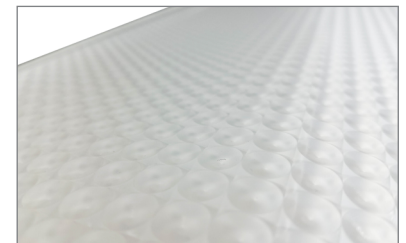
- Housing and LED tray is precision brake formed from aluminum
- Pre-painted with a highly durable, highly reflective white finish

Certifications:

- UL 1598 listed for US and Canada, suitable for damp locations
- DesignLights Consortium qualified on specific configurations (refer to DLC qualified products list for exact model numbers) <http://designlights.org/>

Warranty:

- 5 year limited system warranty - see www.LumenFocus.com for complete warranty terms and conditions
- 10 year warranty option available on specific models
(Not available on all models. Certain conditions apply. Consult factory or sales representative for details.)



Powered by:



PBLU 2 LED Lensed High Bay



Ordering Guide:

example: PBL U 2 LW UV 850-QC20 C6 OSD

Series	Distribution	Length	Output	Voltage	Shielding	CRI/CCT	Hanging	Options
PBL	U	2					-	
PBL	U	2	LW MD	UV 34 48	A23 A23F L118	835 840 850	Blank QC QC20	Blank EXT10 C6 C10 D6 D10 P(NEMA) OS OSD OS(FSP-221B-Lx) OS(FSP-321B-Lx) OSP PC WG WG(OS) SC F EM2 SDT(480V) CC LVL BAA

Distribution: U General with ~5-6% Up-Light

Length: 2 2'

Lumen Output: LW Low
MD Medium

Voltage: UV 120-277V
34 347V
48 480V

Shielding: A23 High Efficiency 23 Pattern Acrylic
A23F High Efficiency 23 Pattern Acrylic, Frosted
L118 0.118" Impact Resistant Lexan

CRI/CCT: 835 80 CRI / 3500K
840 80 CRI / 4000K
850 80 CRI / 5000K

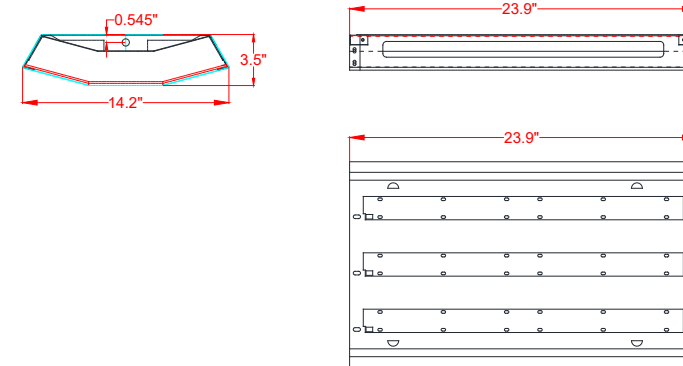
Hanging: Blank None
QC 10' Quick Hang Cable Kit
QC20 20' Quick Hang Cable Kit

Options: Blank None
EXT10 10 yr extended warranty (Not available on all models. Certain conditions apply. Consult factory or sales representative for details.)
C6 6' Single Circuit Cord
C10 10' Single Circuit Cord
D6 6' Dual Circuit Cord
D10 10' Dual Circuit Cord
P(NEMA) Plug (Specify NEMA configuration)
OS Occupancy Sensor (on/off)
OSD Occupancy Sensor (on/off/dim)
OS(FSP-221B-Lx) Wattstopper Programmable Photo/Motion Multi-voltage Sensor (high/low/off) ("x" = lens type. See Page 4 for lens type descriptions)
OS(FSP-321B-Lx) Wattstopper Bluetooth-Enabled Programmable Photo/Motion Multi-voltage Sensor (high/low/off) ("x" = lens type. See Page 4 for lens type descriptions)
OSP Occupancy Sensor with Photocell
PC Photocell
WG Wire Guard
WG(OS) Wire Guard for Occupancy Sensor
SC Safety Cable
F Fuse
EM2 Emergency Pack - up to 16W (120-277V / 0°C-50°C ambient)
SDT(480V) 480V to 277V Step Down Transformer
CC Conformal Coating
LVL 0-10V dimming leads for easy field access
BAA Buy American Act compliant

PBLU 2 LED Lensed High Bay



Schematic:



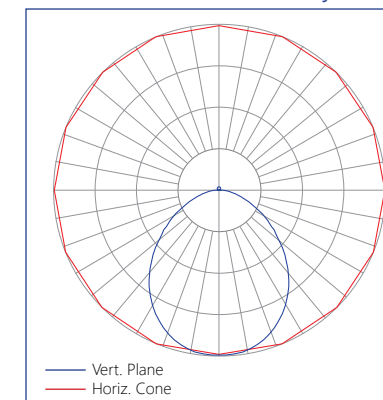
Performance Chart:

Catalog #	Lumens	Watts	LPW	Catalog #	Lumens	Watts	LPW	Catalog #	Lumens	Watts	LPW
PBL U 2 LW UV A23F 835	7827	60	130.5	PBL U 2 LW UV A23F 840	8086	60	134.8	PBL U 2 LW UV A23F 850	8328	60	138.8
PBL U 2 MD UV A23F 835	10869	87	124.9	PBL U 2 MD UV A23F 840	11228	87	129.1	PBL U 2 MD UV A23F 850	11565	87	132.9

Lumen Adjustment Factors:
WG: 0.95

Photometric Data:

Relative Luminous Intensity



PBLU 2 LED Lensed High Bay

Controls available:



Dimming Sensors OS(FSP-221B/321B)

- The Wattstopper FSP sensor provides multi-level control based on motion and/or daylight contribution
- Comes pre-installed on the end cap
- Rated for cold locations
- Parameters for Bluetooth-enabled FSP-321B adjustable via phone app - iOS or Android
- Parameters for FSP-221B adjustable via wireless configuration tool (FSIR-100 - sold separately)
- Three lenses available, tailored for the ideal detection area and mounting height:
 - **FSP-L2:** 360° lens, maximum coverage 48', diameter from 8' height
 - **FSP-L3:** 360° lens, maximum coverage 40', diameter from 20' height
 - **FSP-L7:** 360° lens, maximum coverage 100', diameter from 40' height



Phone app interface for FSP-321B



On/Off Occupancy Sensors (OS)

An optional occupancy sensor controls individual fixtures on or off based on occupancy in detection zone. Sensor used: Leviton OSFHU-ITW (pictured), or an equivalent.

Occupancy Sensors with Photocell (OSP)

The OSP turns luminaire on or off based on occupancy or available natural light to help maximize energy savings. OSP used: Leviton OSFHP (pictured) or an equivalent.



Need another option?
If you need a different control system - such as Nedap, Daintree, or another IoT-based system - just contact us. We can incorporate it.

Advanced Controls Available
We offer robust network control options and IoT compatibility with products from Enlighted and Douglas Lighting Controls, Inc.. Contact the factory for more info.

Other Options:



Cords are available in single circuit or dual circuit, 6' or 10'. Standard plug is optional, as are other NEMA configurations if specified.



Shielding Available in a high efficiency 23 pattern acrylic lens (frosted or clear), and an impact resistant clear lexan lens



Conformal coating Grants LED boards added protection from moisture and corrosion in more hazardous environments.



Hanging The QC hanging kit from ALP comes in 10' or 20'. Cables are pre-looped for easy installation and designed for easy fixture height adjustment. QCs come boxed with each fixture.