



Project: _____
 Location: _____
 Cat. #: _____
 Type: _____
 Quantity: _____

LED

DLE 4 | 4" LED Down Light

Features:

- High performance LED technology
- Triac Dimming
- Compatible with most 4" housings
- Optional new construction and remodel frame-in kits suitable for insulated, non-insulated, and air-tight ceilings
- 2700K, 3000K, 4000K color temperature options

Applications:

Suitable for most commercial, industrial and institutional applications

- Retail
- Hospitality
- Office
- Residential

Compatible Dimmers:

Manufacturer / Series	Model #
Lutron / Maestro C-L	MACL-153MR
Lutron / Diva	DV-600P
Lutron	PD-6WCL
Leviton / Sureslide	6674
Leviton / Sureslide	6633-P
Leviton / Sureslide	6631
Legrand / Harmony	HCL453PTCCCV6

Construction:

- White Aluminum housing with polycarbonate lens
- E26 medium screw-base Edison connector allows for easy retrofit of incandescent housings
- Integral torsion clips for toolless installation in most 4" recessed cans

Certifications:

- cULus listed for wet locations
- Complies with FCC Part 15, Class B
- Complies with EN61000-4-5, input transient protection (1.0kV)



Predicted L70 Lifetime:

- 66,000 hrs (reported)
 (based on LM-80, TM-21 and in-situ laboratory testing)

Warranty:

- 5 year limited system warranty - see www.LumenFocus.com for complete warranty terms and conditions

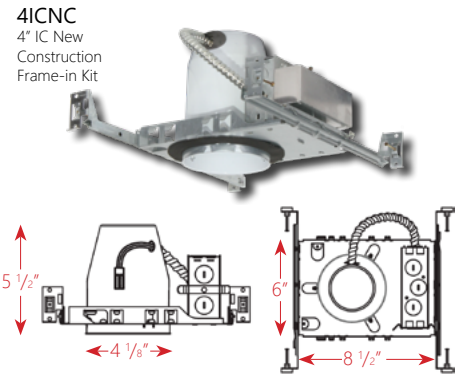


Ordering Guide:

example: DLE 4 HI 12 WB 830-4ICNC

Series	Size	Output	Voltage	Reflector Trim	CRI/CCT	Frame
DLE	4	HI	12			
DLE	4 4"	HI High	12 120V	WB White Baffle (Round)	827 80 CRI / 2700K	Blank No Frame
				WS White Specular (Round)	830 80 CRI / 3000K	4ICNC 4" IC New Construction Frame-In Kit
				BK Black (Round)	840 80 CRI / 4000K	4ICRM 4" IC Remodeler Frame-In Kit
				NK Nickel (Round)		
				BZ Bronze (Round)		
				WBSQ White Baffle (Square)		

Frame-In Kits:



New Construction Applications: **4ICNC**

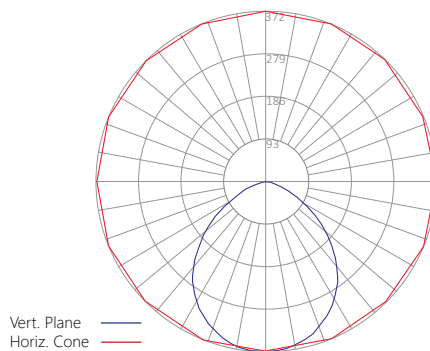
Designed for new construction applications and in ceilings with direct contact with insulation. Air tight construction provides reduced energy costs.

- CULUS Listed for damp locations
- Galvanized steel construction with removeable housing for easy access to the junction box
- Listed for through branch circuit wiring
- Pre-installed Real nail easily installs in regular and engineered lumber
- Adjustable bar hangers from 13 3/8" - 25" and can be repositioned 90° on plaster frame
- Contains one 1 1/8", six 7/8" knockouts and four Romex pnyouts with strain relief

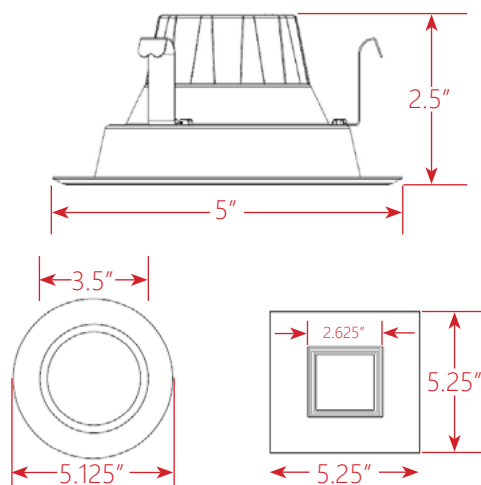
Photometric Data:

DLE 4 HI 12 WB 827

Test No.: 01082019
 Luminaire Lumens: 826 lm
 Luminaire Watts: 7.3W
 Efficacy: 113.2 LPW



Schematic:



Remodel Applications: **4ICRM**

Designed for remodel applications and in ceilings with direct contact with insulation. Air tight construction provides reduced energy costs.

- CULUS Listed for damp locations
- Galvanized steel construction with removeable housing for easy access to the junction box
- Listed for through branch circuit wiring
- Four remodel clips secure housing and accomodate 1/2" and 5/8" ceiling materials
- Housing adjusts from 5/8" to 1 3/8" to accommodate various ceiling thicknesses
- Contains one 1 1/8", six 7/8" knockouts and four Romex pnyouts with strain relief

