



Project: _____
 Location: _____
 Cat. #: _____
 Type: _____
 Quantity: _____

LED

DLR 4 | LED 4" Select Retrofit Down Light

Features:

- High performance LED technology
- Dimmable - see compatibility chart on page 2
- Works for retrofit and new construction applications
- Compatible with type IC and non-IC cans
- High quality 90 CRI
- Field selectable color temperature: 2700K / 3000K / 4000K / 5000K

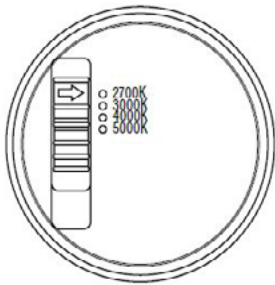
Construction:

- Durable aluminum and polycarbonate construction
- E26 - medium base
- White finish



Certifications:

- ETL Listed for wet locations
- IP43
- RoHS compliant



Predicted L70 Lifetime:

- 50,000 hrs

Ambient Operating Temp:

- -20°C to 40°C

Applications:

Suitable for most commercial, industrial and institutional retrofit & new construction applications

- Retail
- Hospitals
- Offices
- Hospitality

Warranty:

- 5 year limited system warranty - see www.LumenFocus.com for complete warranty terms and conditions



Ordering Guide:

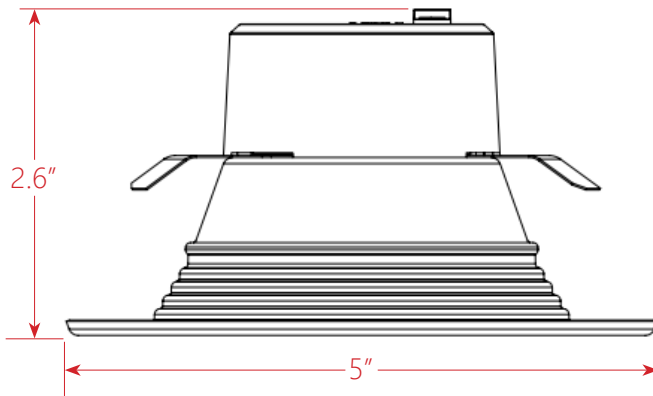
example: DLR 4 MD 12 WB 9SEL

Series	Size	Output	Voltage	Reflector Trim	CRI/CCT
DLR	4	MD	12	WB	9SEL
DLR	4 4"	MD Medium	12 120V	WB White Baffle	9SEL 90 CRI / Field Selectable CCT: 2700K 3000K 4000K 5000K

Accessories:

DLRGU24 Connector for GU24 base

Schematic:



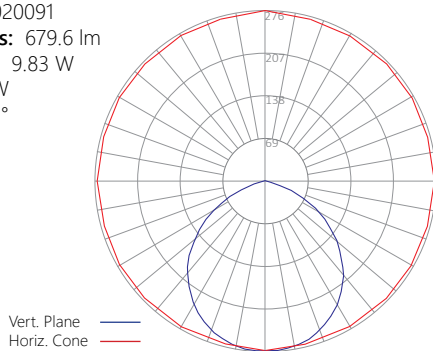
Performance Chart:

CCT	Lumens	Watts	CRI
2700K	650	10	90
3000K	680	10	90
4000K	750	10	90
5000K	750	10	90

Photometric Data:

DLR 4 MD 12 WB 9SEL

Test No.: LCZP19020091
 Luminaire Lumens: 679.6 lm
 Luminaire Watts: 9.83 W
 Efficacy: 69.1 LPW
 Beam Angle: 105°



Dimming Compatibility:

Brand	Model	Compatibility
Lutron	4X603	✓
Lutron	CTCL-153PDH-WH	✓
Lutron	DV-600P	✓
Lutron	DVCL-153P-WH	✓
Lutron	DVLV-603P-IV	✓
Lutron	DVW-603P6H-WH	✓
Lutron	MACL-153M-WH	✓
Lutron	MALV-600	✗
Lutron	MALV-600-IV	✗
Lutron	MIR-600THW-WH	✗
Lutron	S-600PR-WH	✓
Lutron	SLV-600P-WH	✓
Lutron	SPSLV-600-WH	✗
Leviton	6674	✓
Leviton	6672	✓
Leviton	6683	✓
Leviton	6633-P	✓
Leviton	IF4205	✓
Leviton	IPL06	✓

✓ Compatible
 ✗ Not Recommended

