

Project: \_\_\_\_\_  
 Location: \_\_\_\_\_  
 Cat. #: \_\_\_\_\_  
 Type: \_\_\_\_\_  
 Quantity: \_\_\_\_\_

**UV-C 254 NM**

# GUA P | Germicidal Upper Air Pendant

## Features:

- Upper air germicidal 254nm UV-C irradiation
- Low-wattage, ozone-free GUVT8 lamp reduces airborne pathogens
- Electronic ballast specifically matched to lamps for optimal performance and lifetime
- Easy re-lamping process
- AirFocus (AF) models contain fans to increase air circulation, allowing more air to flow into the irradiation zone, maximizing germicidal potential
- Buy American Act - each unit is BAA compliant, manufactured in Henderson, NC utilizing mostly domestic and some foreign components

## Construction:

- Housing constructed of durable aluminum with a silver (standard), white or black powder coat finish
- Polished aluminum reflector optimized for dispersion of UVC wavelength for irradiation of pathogens



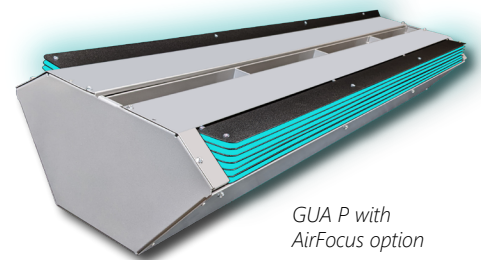
## Warranty:

- 3 year limited system warranty - excludes lamps
- Lamps covered under manufacturer warranty

## Applications:

Suitable for most commercial and institutional applications

- Lobbies
- Hallways
- Offices
- Bathrooms
- Conference rooms
- Hotels
- Retail
- Excellent solution to add UVGI remediation for constructed spaces



*GUA P with AirFocus option*



Ordering Guide:

example: GUA P AF 4 2 36 GUVT8 UNV W C4P

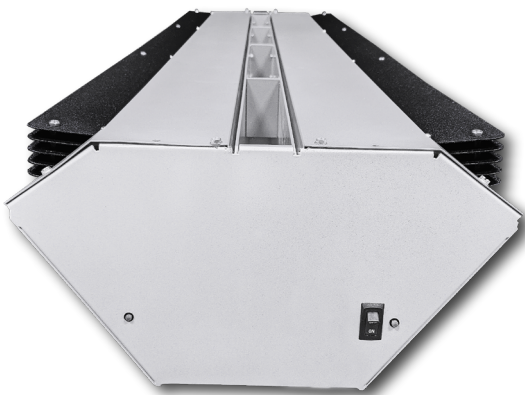
Series	Type	Air Flow	Length	No. of Lamps	Lamp Watts	Lamp Type	Voltage	Finish	Cord Set
GUA	P			2		GUVT8	UNV		
GUA	P Pendant	Blank None	2 2'	2 Two Lamps	15 15W (2' Length Only)	GUVT8 Germicidal T8 UVC Lamp	UNV 120-277	S Silver (Standard)	CxP Cord with 120V Plug (x = specify length in feet) <sup>(1)</sup>
		AF AirFocus - Added fans for improved air flow into irradiation zone	4 4'	2 Two Lamps	36 36W (4' Length Only)			W White  Black Black	

Notes

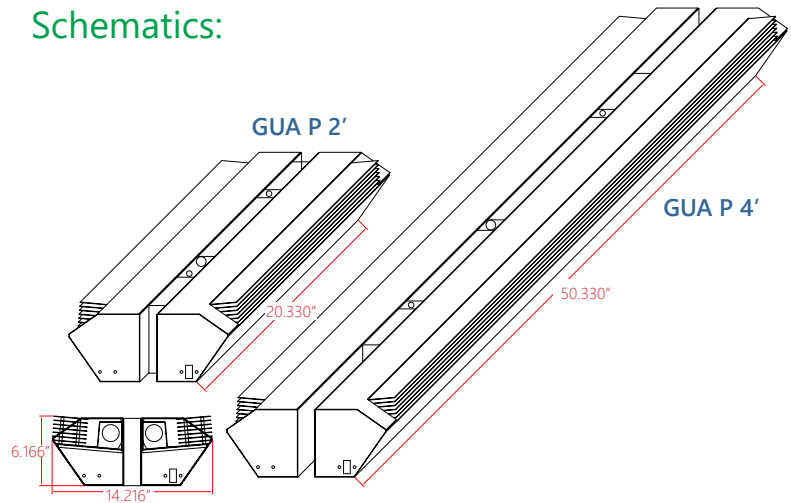
<sup>(1)</sup> Cord length should be the distance from top of fixture to the ceiling with minimal slack

AirFocus

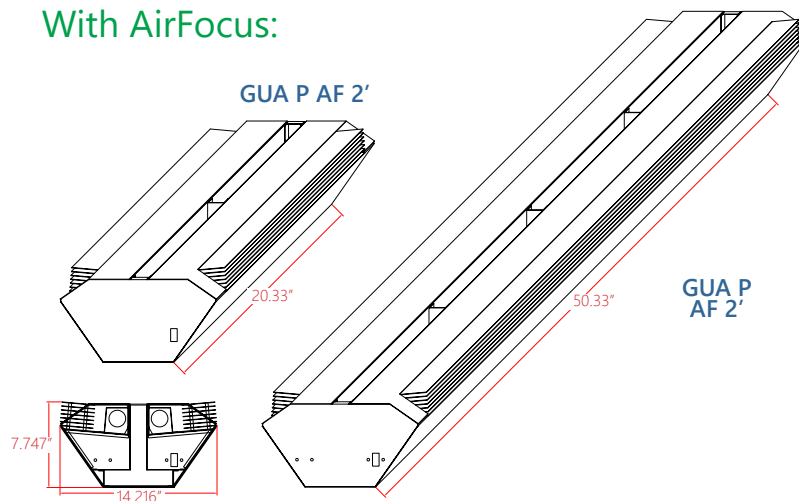
The GUA P AF provides added fans that pull air in from the bottom of the unit. These fans help maximize air circulation and allow a greater percentage of air and pathogens to traverse the eradication zone.



Schematics:



With AirFocus:



Radiometric Data:

**GUA P 4 2 36 GUVT8 UNV**

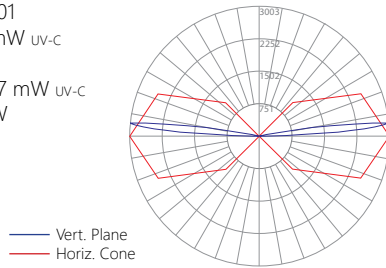
Test No.: LLIA001334-001

Lamp Output: 15,500 mW uv-c

Ballast Factor: 0.93

Luminaire Output: 877 mW uv-c

Luminaire Watts: 82 W



**Note:** UVFocus products are designed utilizing proven germicidal and anti-bacterial technology. UVC 254nm products work to deactivate most common viruses (as well as bacteria, molds and yeasts), and 405nm near-UV products are shown to substantially reduce bacterial presence. While these products can be considered disinfecting products, they should be used in conjunction with standard, proper disinfecting cleaning procedures to have the greatest impact for maintaining a clean environment. Successful UV disinfection requires a systems approach taking into account dose, optics and safety relevant to the specific application. Please consult with factory any questions or concerns.

**Caution:** Potentially hazardous situation. GUA P must be hung at a minimum height of 7' 6" from the floor to the bottom of the fixture. Ceiling height must be at least 9' tall. Taller ceilings may be required based on the specific application. After installing, dosimeters should be used to ensure UV-C is not radiating or reflecting into the space below at a level that could present a danger to occupants. The ACGIH has established a permissible daily exposure limit for 254nm UV-C of 6mJ/cm<sup>2</sup> over an 8-hour period. Do not ascend into the path of irradiation emitted from this product. Make sure unit is powered off before climbing ladders, stairs, etc., or in any other situation where you are above the mounting height of the unit. At 254nm, direct UV-C irradiation is not safe for humans. Avoid looking directly at the light and take necessary precautions during installation or maintenance of this product. Lamps used in this product contain mercury. Each product ships with warning labels on the fixture and safety handling guides in the cartons. Please read and heed all safety instructions before using this product. Visit [www.lumenfocus.com/uvfocus-safety](http://www.lumenfocus.com/uvfocus-safety) for more safety information.

