



Project: _____
 Location: _____
 Cat. #: _____
 Type: _____
 Quantity: _____

LED

DEM | LED Decorative Emergency Unit

Features:

- Ultra-bright, long life white LED
- Two 6W LEDs per head (12 watts total per unit)
- Universal 120-277VAC voltage
- Charge rate/power "ON" LED indicator light and push to test switch for mandated code compliance testing
- 4.8V long life, maintenance free, rechargeable NiCd battery
- Internal solid-state transfer switch automatically connects the internal battery to LED board and LED lamp heads for minimum 90-minute emergency illumination
- Fully automated solid-state, two rate charger initiates battery charging to recharge a discharged battery in 24 hours
- Self-diagnostic feature performs monthly, bi-annual, and annual tests to ensure reliable operation and meets electrical and life safety codes
- Field-selectable wiring allows for "AC" operation of the unit to be controlled using a wall-switch or a photocell or any other switching mechanism
- Photocell included as standard for use as dusk-to-dawn luminaire.

Applications:

Suitable for indoor or outdoor use where emergency lighting is needed

Construction:

- Die-cast aluminum housing
- Durable powder-coat finish
- Prismatic polycarbonate refractor
- Sealed and gasketed

Mounting:

- Surface mount via quick-connect back plate; fits most standard size junction boxes
- Universal K/O pattern on back plate for wall mount
- Threaded opening at the top of the enclosure for conduit mount

Ambient operating Temp.:

- 0°C to 50°C
- -30°C to 50°C with CW option

Certifications:

- UL listed for wet locations
- UL924
- NFPA 101 Life Safety Code
- NEC
- OSHA
- Local and State Codes
- Certified to CEC under Title 20 Regulations (*optional*)



Warranty:

- 5 year limited warranty on housing and electronics. Battery pro rated for 5 yrs.
- see www.LumenFocus.com for complete warranty terms and conditions



Ordering Guide:

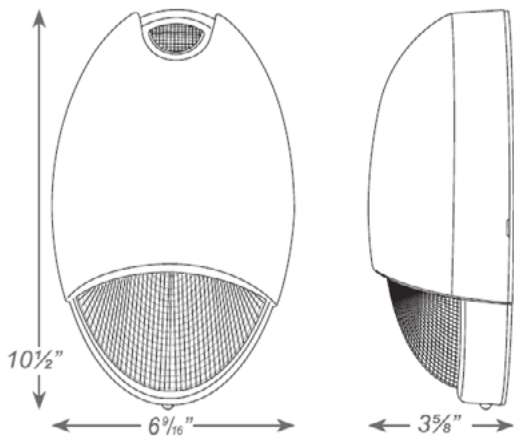
Example: DEM UV BK SD PC CW

Series	Voltage	Housing Color	Diagnostics	Controls	Options
DEM	UV		SD	PC	
DEM Decorative Emergency Unit	UV 120V-277V	WT White BK Black BZ Bronze NC Nickel	SD Self-Diagnostics	PC Photocell	Blank None CW Cold Weather (-30°C to 50°C) CEC Certified to CEC

Performance Chart:

Catalog #	Nominal Watts	Lumens (AC Mode)	Lumens (DC Mode)
DEM UV xx SD PC	12W	1286	350

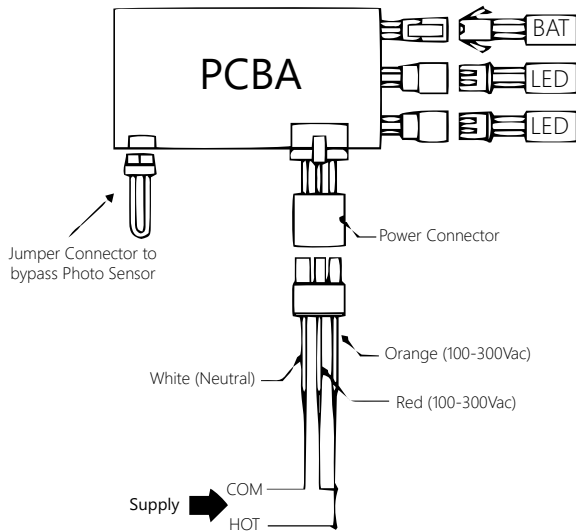
Schematic:



Wiring Diagram:

NORMALLY ON

Unit ON at all times



NORMALLY OFF

Unit ON only in emergency mode

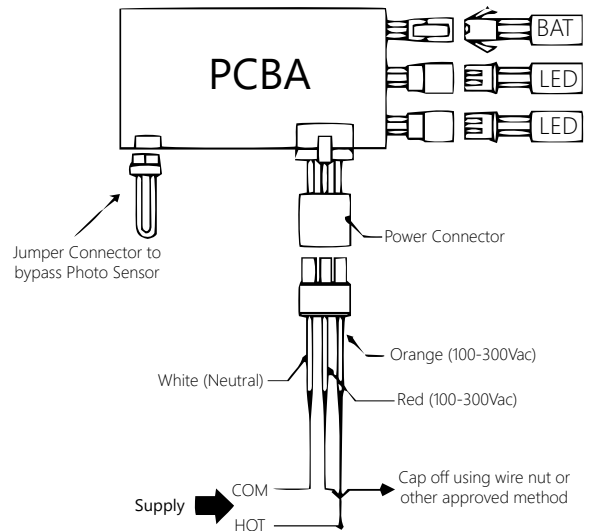
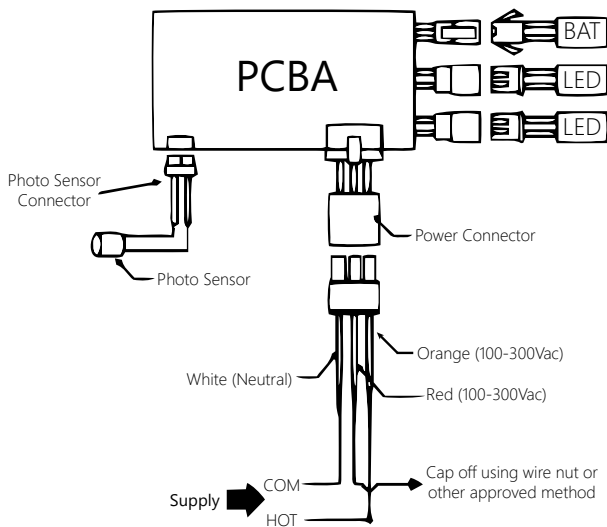


PHOTO SENSOR

Unit ON when there is not enough ambient light; will automatically switch to emergency mode during a power outage



SWITCHED

Controlled operation in AC mode; will automatically switch to emergency mode during a power outage

