

Project: \_\_\_\_\_  
 Location: \_\_\_\_\_  
 Cat. #: \_\_\_\_\_  
 Type: \_\_\_\_\_  
 Quantity: \_\_\_\_\_

UV-C 254NM

# GUA S | Germicidal Upper Air Sconce

## Features:

- Upper air germicidal 254nm UVC irradiation
- Low-wattage, ozone-free GUVT8 lamp reduces airborne pathogens
- Electronic ballast specifically matched to lamps for optimal performance and lifetime
- Easy re-lamping process
- Buy American Act - each unit is BAA compliant, manufactured in Henderson, NC utilizing mostly domestic and some foreign components

## Applications:

- Suitable for most commercial and institutional applications
- Lobbies
  - Hallways
  - Offices
  - Bathrooms
  - Conference rooms
  - Hotels
  - Retail
  - Excellent solution to add UVGI remediation for constructed spaces

## Construction:

- Housing constructed of durable aluminum with a silver (standard), white or black powder coat finish
- Polished aluminum reflector optimized for dispersion of UVC wavelength for irradiation of pathogens

## Certifications:

- UL 1598 listed for US and Canada, suitable for dry locations

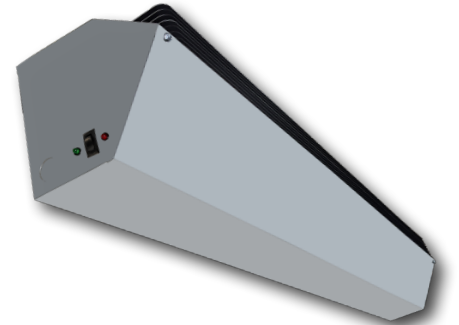


## Warranty:

- 3 year limited system warranty - excludes lamps
- Lamps covered under manufacturer warranty

## Enhanced by AirFocus:

- AirFocus (AF) models contain fans to increase air circulation, allowing more air to flow into the irradiation zone, maximizing germicidal potential (see page 2 for more info)



Ordering Guide:

example: GUA S AF 4 1 36 GUVT8 UNV W C1P

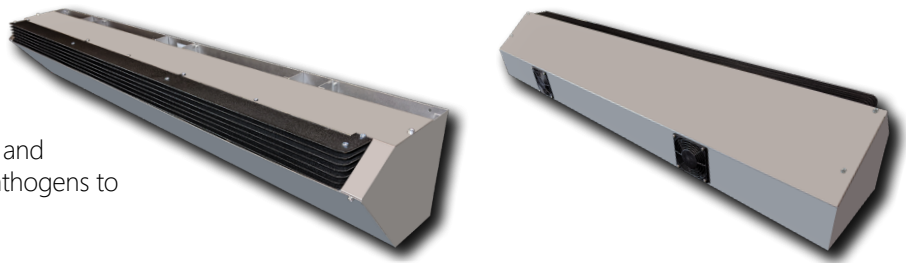
Series	Type	Air Flow	Length	No. of Lamps	Lamp Watts	Lamp Type	Voltage	Finish	Cord Set
GUA	S			1		GUVT8	UNV		C1P
GUA	S Sconce	Blank None	2 2'	1 Single Lamp	15 15W (2' Length Only)	GUVT8 Germicidal T8 UVC Lamp	UNV 120-277	S Silver (Standard)	C1P 1' Cord with 120V Plug
		Blank None  AF AirFocus - Added fans for improved air flow into irradiation zone <sup>(1)</sup>	4 4'	1 Single Lamp	36 36W (4' Length Only)			W White  Black Black	

Notes

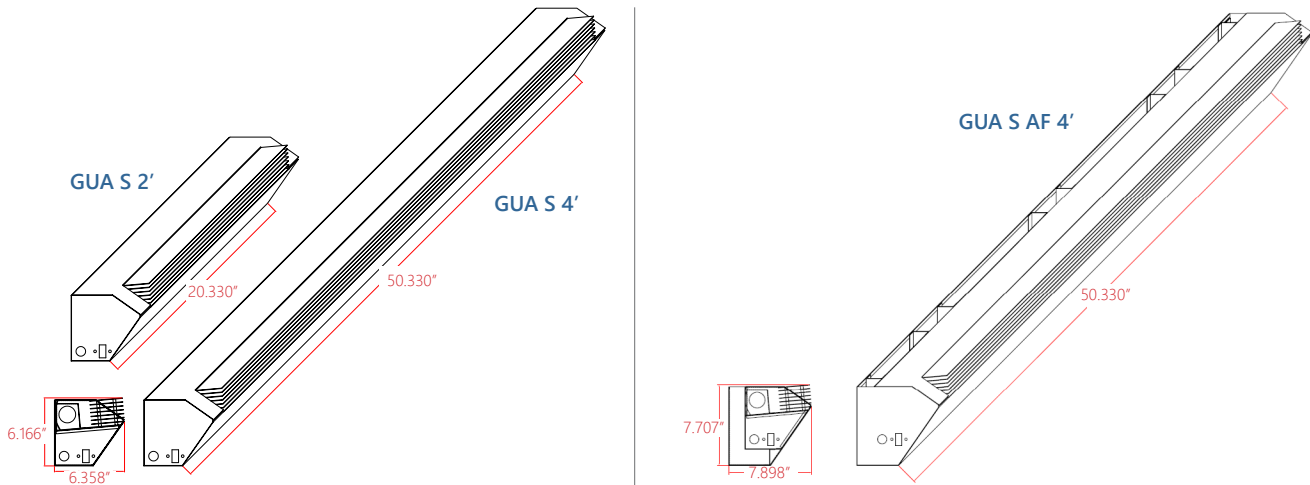
<sup>(1)</sup> Not available on 2' model. See below for more info

AirFocus ("AF"):

The GUA S AF provides added fans that pull air in from the bottom of the unit. These fans help maximize air circulation and allow a greater percentage of air and pathogens to traverse the eradication zone.



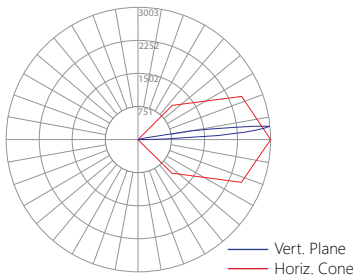
Schematics:



Radiometric Data:

GUA S 4 1 36 GUVT8 UNV

Test No.: LLIA001334-001  
 Lamp Output: 15,500 mW UV-C  
 Ballast Factor: 0.93  
 Luminaire Output: 439 mW UV-C  
 Luminaire Watts: 41 W



**Note:** UVFocus products are designed utilizing proven germicidal and anti-bacterial technology. UVC 254nm products work to deactivate most common viruses (as well as bacteria, molds and yeasts), and 405nm near-UV products are shown to substantially reduce bacterial presence. While these products can be considered disinfecting products, they should be used in conjunction with standard, proper disinfecting cleaning procedures to have the greatest impact for maintaining a clean environment. Successful UV disinfection requires a systems approach taking into account dose, optics and safety relevant to the specific application. Please consult with factory any questions or concerns.

**Caution:** Potentially hazardous situation. GUA S must be hung at a minimum height of 7' 6" from the floor to the bottom of the fixture. Ceiling height must be at least 9' tall. Taller ceilings may be required based on the specific application. After installing, dosimeters should be used to ensure UV-C is not radiating or reflecting into the space below at a level that could present a danger to occupants. The ACGIH has established a permissible daily exposure limit for 254nm UV-C of 6mJ/cm<sup>2</sup> over an 8-hour period. Do not ascend into the path of irradiation emitted from this product. Make sure unit is powered off before climbing ladders, stairs, etc., or in any other situation where you are above the mounting height of the unit. At 254nm, direct UV-C irradiation is not safe for humans. Avoid looking directly at the light and take necessary precautions during installation or maintenance of this product. Lamps used in this product contain mercury. Each product ships with warning labels on the fixture and safety handling guides in the cartons. Please read and heed all safety instructions before using this product. Visit [www.lumenfocus.com/uvfocus-safety](http://www.lumenfocus.com/uvfocus-safety) for more safety information.

